

Universal Beacon

INTELLIGENT BEACON SOLUTIONS



UNIVERSAL BEACON

Adding Flashing Beacons to new or existing signs can increase awareness and compliance with regulatory and warning signs at challenging roadway locations.

TrafficCalm's Universal Beacons are able to be mounted to any type of pole, from round poles to square wooden and metal posts. The Universal Beacons are part of the TrafficCalm Intelligent Beacon Series, which includes a large variety of top-of-pole or side-of-pole mounted controller/collaborator cabinets and solar or AC options with various sized batteries to meet the requirements of any application in any location.

FEATURES

Ruggedized Electronics

All electronics, radios, and LEDs are fully epoxy-potted and environmentally sealed. The entire pole with the solar controller, and batteries can be fully submerged and still operate. LED beacon is water resistant. (Not intended for underwater installation)

Ease of Installation

The ease of installation allows for quick setup on any existing sign post.

Built-in Beacon Timer and Scheduler

No external beacon timer is required when an intelligent controller is selected. The system comes with a built-in software timer and the ability to schedule the beacon activity up to 5 years in advance. Systems with basic controllers are plug-n-play with no programming and scheduling options.

Made in the USA

TrafficCalm Intelligent Beacons are manufactured in the USA in an ISO 9001:2015- certified facility, meeting and exceeding industry and state testing requirements. TrafficCalm® Intelligent Beacons are unmatched in durability, brightness, and ease of installation and use. Build America/Buy America Compliant.

TRAFFICALM.COM



SPECIFICATIONS

Beacon Illumination

Single red or amber beacon ball options (utilize two single beacons for dual horizontal or vertical beacon solutions)

ITE VTCSH-LED Circular Signal Supplement compliant (ITE 2005)

Auto dimming

Selectable daylight non-dimming option

Maintains 70% of initial lumens after 100,000 hours of operation

LED Beacon Electrical

Wattage: 4.4W (Red), 10W (Amber)

Input voltage: 10-28VDC

Multiple flash pattern sections (Intelligent Controllers and Collaborators). Standard MUTCD flash pattern only (Basic Controllers) AC or Solar options

Beacon Dimensions

Housing dimensions for all Intelligent Beacons: 13.5" h x 13.5" w x 17" d (34.29cm x 34.29cm x 43.18cm)

Bracket dimensions: 10" standoff from post surface (for all configurations)

Beacon Housing

Powder-coated aluminum or molded polycarbonate

Color available: Gloss black, green, or yellow

Hinged door of matching material and color

All brackets and mounting points serrated for positive positioning and locking

Stainless steel or aluminum hardware

Visors and backplates sold separately

Compatibility

Compatible with all TrafficCalm Controllers and Collaborators

Can be push button, speed radar, time clock, or sensor activated

Compatible with all TrafficCalm beacon solar kits

Mounts to all industry standard posts – include round poles and wooden and steel square posts

Beacons have universal pole hub mounts (two per beacon)

Environmental

NEMA 4X Enclosure

-29.2° F to 165.2° F operating range (-34° C to +74° C)

System Ordering Options

Beacon LED colors: red or amber

Housing colors: Gloss black, green, or yellow

Housing material: Powder-coated aluminum or molded polycarbonate

Visors and backplates sold separately

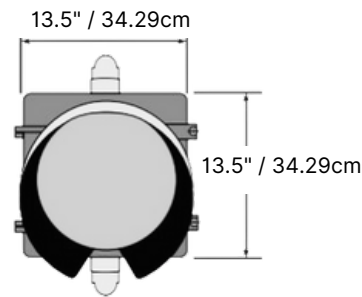
DETAILS

Warranty, and Service

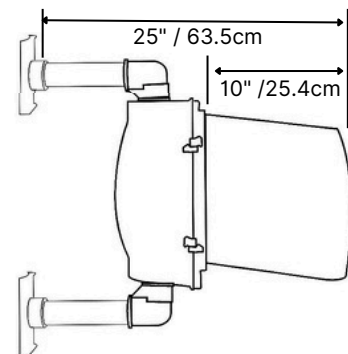
5-year limited warranty

Unlimited tech support from US based factory technicians

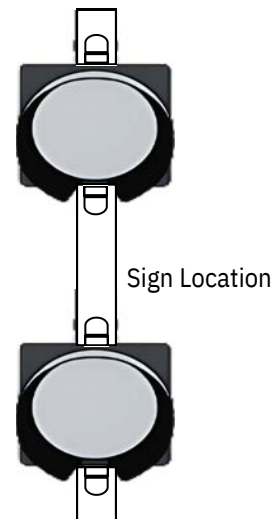
12" Single Beacon Front View



12" Single Beacon Side View



12" Dual Vertical Beacons Front View



12" Dual Horizontal Beacons Front View (shown with top-of-round-pole slip fitter)

