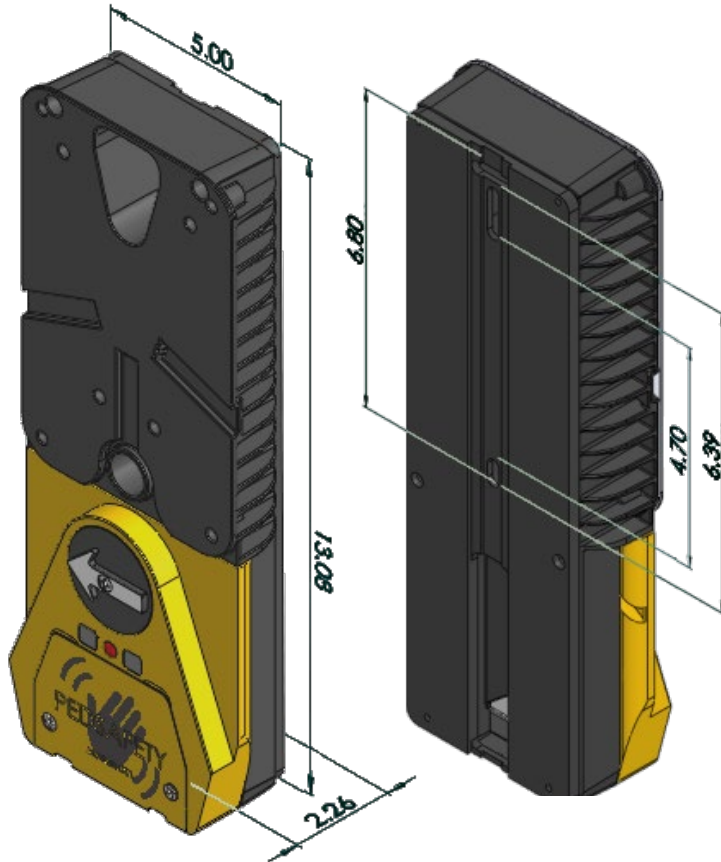




## Guardian® and Guardian® Wave



Guardian® pictured with Wave option

The **Guardian®** is an independent 4-wire accessible pedestrian signal that is shipped to users ready to install out of the box. It does not require any additional equipment in the traffic control cabinet. It uses a four-conductor cable to link the **Signal Power Interface (SPI)** in the pedestrian signal head to the pedestrian station, now compatible with 48 VDC cabinets. The **Guardian®** features an ADA-compliant solid-state push button for standard actuation, with an I touchless actuation option available. All sounds are directed from the front and side of the station, oriented towards where pedestrians stand to enter the crosswalk.

PedSafety's **Guardian® Wave** showcases an active infrared sensor for touchless actuation that operates flawlessly in extreme weather conditions. Simply waving a hand within 1-9" in front of the sensor will place a call for a walk cycle and provide all the essential information and indications required by the MUTCD, ADA, PROWAG, and TAC.

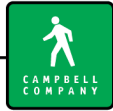
Bluetooth® is an optional add-on module that allows users to configure the push button settings wirelessly through an iOS or Android phone or tablet via our **PedConnex®** mobile app.

### Key Features:

- **PedConnex®** utility and **PedConnex®** mobile app are downloadable software applications for both USB and Bluetooth® interfaces allowing for simple configuration and customization across Windows, iOS, or Android
- Utilize a secure USB-C connection for **PedConnex®** usage in non-Bluetooth® applications
- Designed to seamlessly integrate with touch-safe 48 VDC cabinets.
- Ready to install straight out of the box onto the pole with pre-programmed and customized plug-and-play installation at the intersection
- Save and download configuration profiles and settings for quick button set-up and recovery during knockdown situations, or for future deployments
- Quiet Signal Technology (QST) includes firmware settings for time-of-day functionality and can be combined with port baffles to provide sound directionality, not 360° uncontrolled broadcasting
- Sync call activation is available for the pedestrian phase
- Choose selectable features such as clearance mode, destination beaconing, countdown, and always-on options
- PedSafety's **AudibleBeaconDevice** is available for targeted beaconing applications
- Automatic gain control for ambient and active AGC in the walk cycle if selected
- Fail-safe default reverts to standard push button operation in flash events
- Low power consumption is ideal for RRFBs and solar mid-block crossing applications
- **Fully MUTCD, ADA, PROWAG, TAC, and Buy America Compliant**

### Guardian®Wave Features:

- Active infrared sensor that operates independently from the physical push button
- Active infrared technology allows for sensitivity and detection range control of 1-3", 1-6", or 1-9"
- The sensor is reliable in extreme weather – rain, hail, or snow does not affect detection



## Operating Specifications

Parameter	Rating
Operating Temperature Range	-34°C to +74°C -30 °F to +165°F
Operating Force	3.0 lb maximum
MTBF	1,200,000 hrs. (136 years)
Switch Operating Life	Greater than 100 million operations
Maximum Volume	100 dB @ 1 meter

## Design Compliance

Test Type	Compliance
Functionality	MUTCD 2009 - 4E
Temperature and Humidity	NEMA TS2
Transient Voltage Protection	NEMA TS2
Transient Suppression	IEC 61000-4-4, IEC 61000-4-5
Electronic Noise	FCC Title 47, Part 15 Class B
Mechanical Shock and Vibration	NEMA TS2
Guardian PBS enclosure	NEMA 250 – Type 4X
Electrical Reliability	NEMA TS4
Bluetooth® Specification	Bluetooth® SIG member

All certifications performed by certified independent testing laboratories

### Notes:

- Applicable sections only of referenced standards
- All specifications are subject to change without notice
- All specifications are typical unless otherwise specified

## Please specify part number:

Guardian w/ 5" x 7.75" sign	501-0811C
Guardian Wave (Push Button) w/ 5" x 7.75" sign	501-0821C

Signal Power Interface (SPI) 120 AC	501-0300
Signal Power Interface (SPI) 48 VDC	501-0303

Bluetooth® Add-on	501-0652
-------------------	----------

## Please specify the following five attributes:

1. Color <sup>1</sup>	2. Screw Type	3. Arrow type
Textured Black	Standard Phillips	Field Selectable (FS)
Federal Yellow	Pinned Torx (T)	Double Arrow (DA)
Federal Green	Allen Head (Allen)	No Arrow (NA)
Unpainted/Natural		
Other (specify)		

<sup>1</sup>Color applies to faceplate only; thermoplastic back and aluminum backplate are black

4. Sign Film	6. Sign Legend <sup>2</sup>
Engineering Grade	
Diamond Grade	
Decals EG & DG	
Braille 2	
5. Adapter Plates	
9" x 12"	
9" x 15"	

<sup>2</sup>Specify MUTCD sign at time of purchase