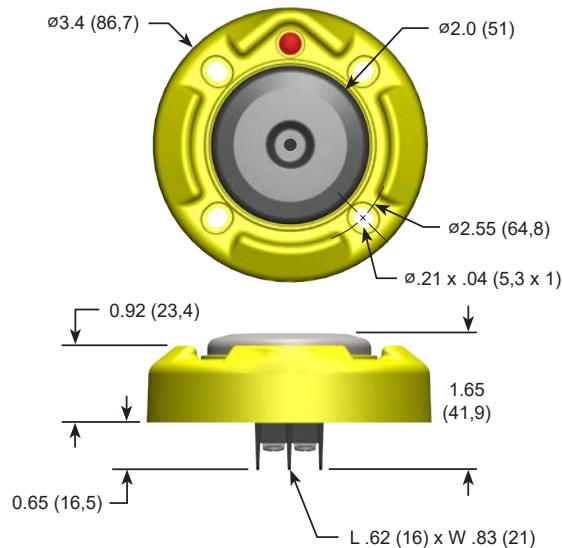
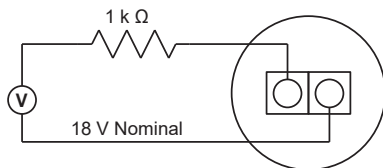


BDL3 – Bulldog III Series Vandal Resistant ADA Push Button



Suggested Test Circuit
(Momentary Mode Only)



This button is a highly vandal resistant button with essentially no moving parts. It is pressure activated, but can withstand an impact from a baseball bat or hammer. When the switch activates, you hear a beep and the LED either flashes (Momentary Mode) or lights and stays on until the walk cycle (Latching Mode).

Body Material: Aluminum, Powder Coated

Button Material:

Standard: 316 Stainless Steel
Arrow Button: Anodized 6061 Aluminum, Nickel Plated Black Powder Coat on area surrounding arrow

Piezo Driven Solid State Switch:

Operating Force: 3.0 lbs. Maximum
Operating Temperature: -30°F to 165°F (-34°C to 74°C)
Operating Voltage: 12-36 VDC, 9-25 VAC RMA (18 VDC Typ.)
MTBF: 8,800,000 hours Typ.
Switch Operating Life: Greater than 300 million operations.
"Off" Current: 15µA Typ.
"On" Resistance: 40Ω Typ. (Momentary)
Maximum "On" Current: 30 mA (over-current protection) Typ.
Maximum "On" Time: 11 sec. Typ.
Debounce Time: 85 ms. Typ.

LED Operating Modes:

Momentary: Approx 0.025 sec. LED flash each time button is pressed.
Latching: LED activates only during non-walk phases and stays on until the beginning of the walk phase.

LED Specifications:

Luminous Intensity: 0.3 Lux @ 1 meter Minimum (Red)
Viewing Angle: 155° Typical

Beeper:

Volume: 68dB @ 1 meter Typ.
Beep on Press: 3.5 kHz
Beep on Release: 2.6 kHz
Beep Length: 50ms Typ.

Terminal screws include washers (clamping plates) intended for bare wire. Crimp Terminals are not recommended.

Warranty: 5 Years, free from manufacturers defects

BDL3-Y model shown.
Dimensions are in inches (millimeters).

See page 2 for additional design compliance and ordering information.

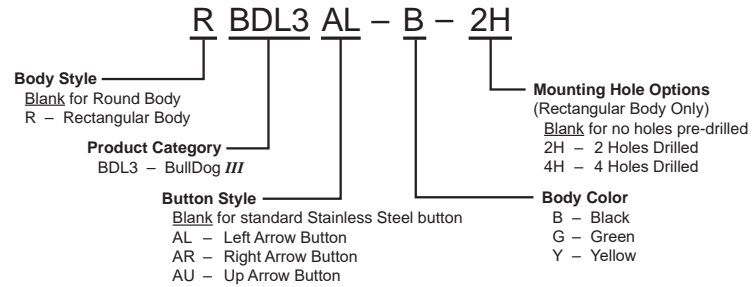
www.polara.com

Design Compliance

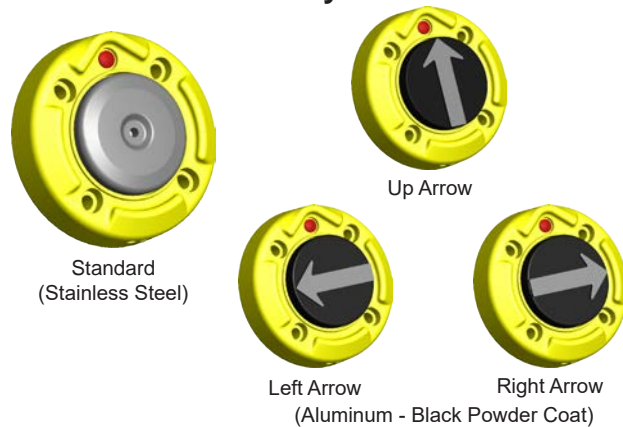
	Compliance
Activation Force	MUTCD 2009 - 4E
Temperature and Humidity	NEMA TS 2
Transient Voltage Protection	NEMA TS 2
Transient Suppression	IEC 61000-4-4, IEC 61000-4-5
Lightning and Power Protection	GR-1089-CORE, Extended to 6000V-400A, 25 reps, 120VAC-15 mins.
Electronic Noise	FCC Title 47, Part 15, Class A
Mechanical Shock and Vibration	NEMA TS 2
Ingress of Water	NEMA 250 - 6P, Rain, Snow, etc...
Ingress of Water <small>Test Type</small>	NEMA 250 - 6P, Submersion
Salt Spray and Corrosion	NEMA 250 - 6P
Ingress of Foreign Objects	NEMA 250 - 6P
Electrical Reliability	NEMA TS 4

Note: Applicable sections only of reference standards. All specifications are subject to change without notice.

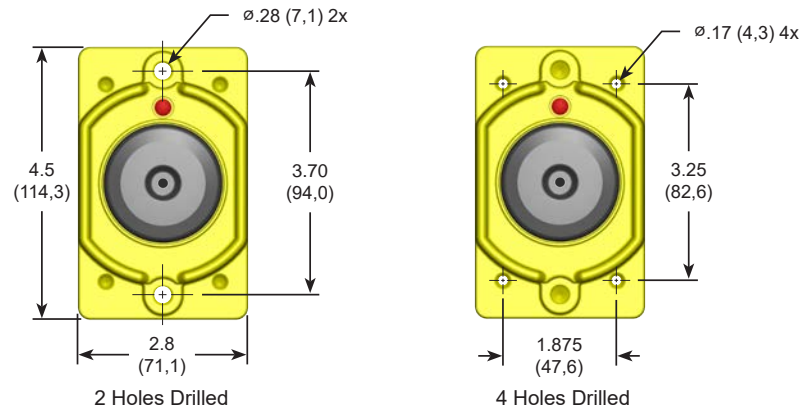
Product Ordering Information



Button Styles

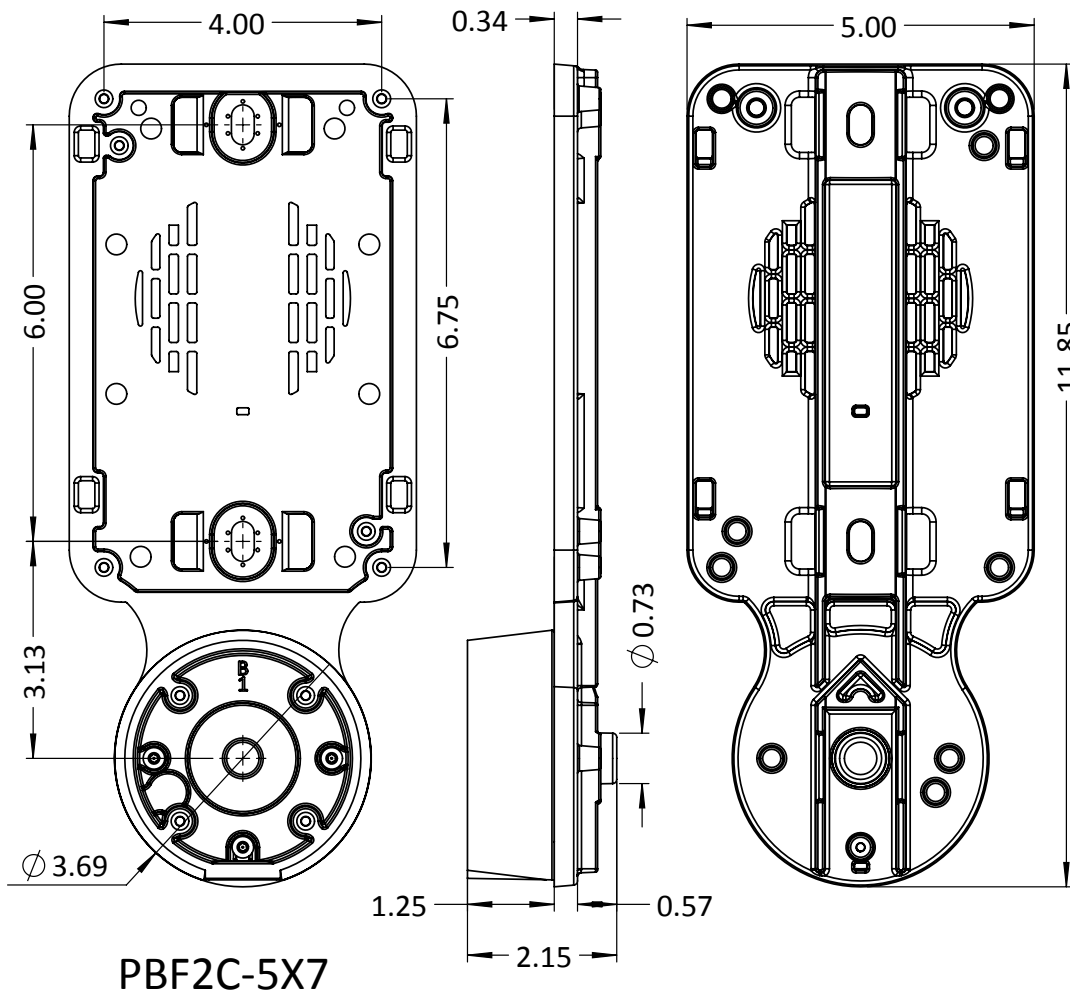


Mounting Hole Options (Rectangular Body Only)





PBF2C: Push Button Frame 2 With Button Cup



Dimensions are in inches.

The PBF2C is a frame and cup designed to mount a Polara Bulldog (BDL) push button and protect the wires and terminal block. Any of Polara's signs can be mounted on the PBF2C, and 9X12, 9X15, and 9X18 signs can be mounted with the addition of a Polara PBFA backplate. The frame can be mounted with 3/4" or smaller banding or with 1/4-20 fasteners, which are included.

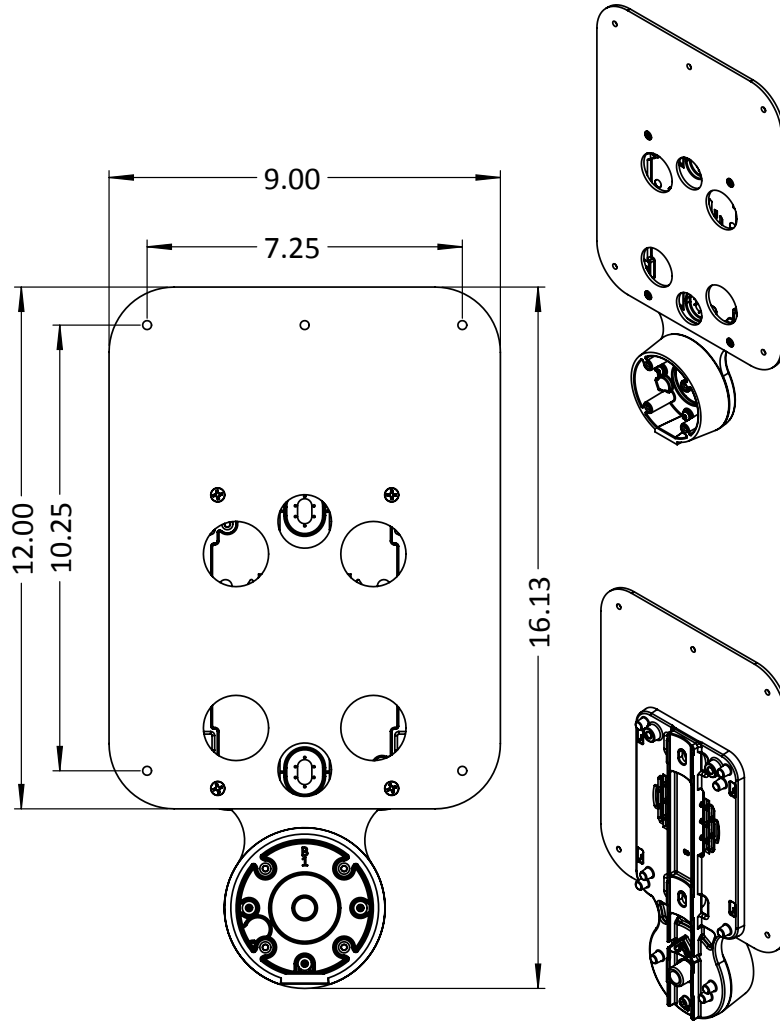
Polara's PBF2C can be mounted on any diameter pole as well as on a flat surface. The cast aluminum structure and powdercoated finish provides a strong, attractive mount while the deep cup and stem shields the BDL wires and terminal block from the environment. The cup and frame are made from powdercoated cast aluminum and are available in the standard colors of green, black, and yellow.

Product Ordering Information

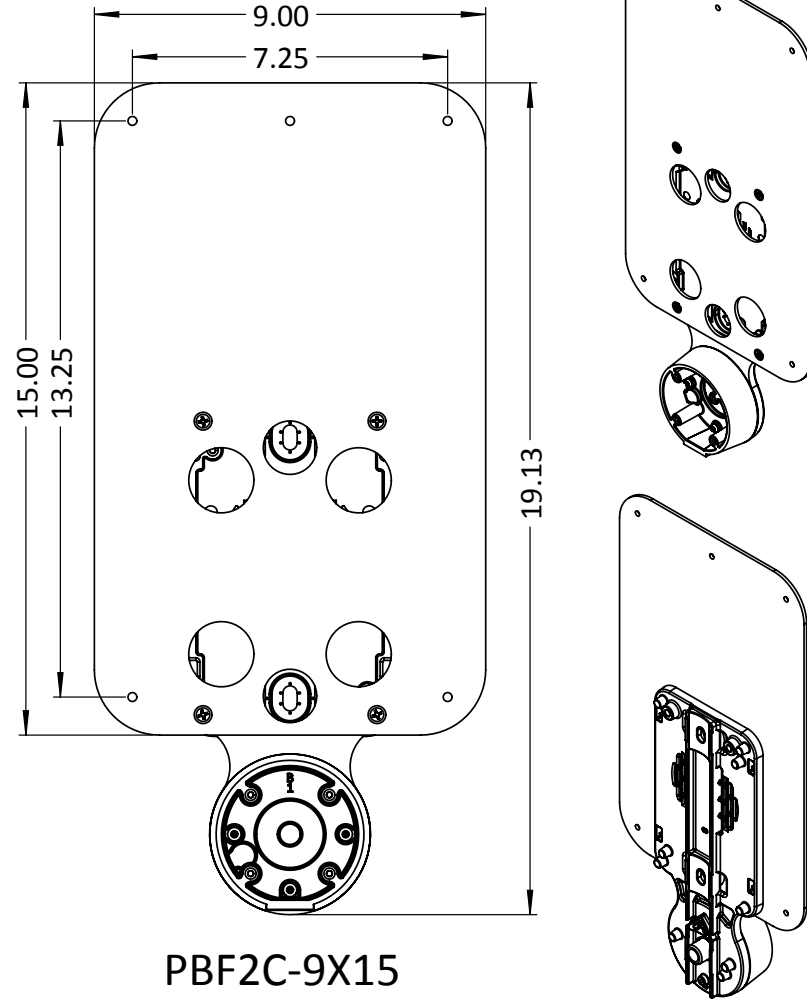
PBF2C- X - X

Backplate Size (inches)	Color
5X7	B - Black
9X12	G - Green
9X15	Y - Yellow
9X18	

POLARA



PBF2C-9X12



PBF2C-9X15

Dimensions are in inches.