

iQ1500

RADAR SPEED SIGNS



THE IQ SERIES OF RADAR SPEED SIGNS

The iQ Series is our full-featured Radar Speed Sign that includes a full-matrix display, speed triggered messages, and beacon outputs, along with traffic data collection.

The iQ1500 features bright 15" [38.1 cm] characters that can be seen from up to 750 ft [228.6 m] away and help increase driver awareness of their speed on neighborhood streets.

Speed can kill. A pedestrian is 82 percent more likely to be fatally injured if hit by a vehicle traveling 40 MPH [64 KPH] vs a vehicle traveling 20 MPH [32 KPH]. Speeding drivers are almost three times more likely to be involved in fatal or serious-injury crashes. Radar Speed Signs have been proven, in multiple third-party studies*, to be highly effective at reducing average vehicle speed and slowing speeding drivers, creating safer roadways and communities.

FEATURES

Full Matrix Display

Full matrix displays allow the vehicle speed to be displayed in conjunction with speed-triggered messages such as "SLOW DOWN" or "TOO FAST."

Traffic Data Collection

Stores up to 9 months of traffic and speed data. TC-Speed Connect™ Data Collection and Reporting Software is included with the sign, providing free local data collection for the life of the sign.

Stealth Mode

The radar can remain active without the sign displaying any message. Speed data will be collected on the controller. This is great for before and after studies to prove the effectiveness of the sign at slowing speeding drivers.

100% MUTCD Compliant

Amber LED's are used to meet the Federal Highway Administration Manual on Uniform Traffic Control Devices (MUTCD). Multi-color LED's and strobes that are not MUTCD compliant are not utilized.

Ruggedized Electronics

Built tougher than other systems on the market. Polycarbonate high-impact, non-glare display cover is vandal resistant. The enclosure is a metal and weather-proof sealed NEMA 3R rated enclosure.

Made in the USA

TrafficCalm® Radar Speed Signs are manufactured in the USA in an ISO 9001:2015 certified facility, meeting and exceeding industry and state testing requirements. TrafficCalm® signs are unmatched in durability, brightness, accuracy and ease of installation and use. Build America/Buy America Compliant.

*Call for speed studies

TRAFFICALM.COM



RELEASED: 2023/01/17

+1 855.738.2722 / sales@trafficalm.com / www.trafficalm.com

SPECIFICATIONS

DISPLAY

Full matrix electronic Light Emitting Diode (LED) display

Speed display features 15" (38.1 cm) high electronic numbers, will display MPH or KPH, Minimum 5 MPH (8 KPH) in 1 MPH/1.6 KPH increments, Maximum 99 MPH/159.3 KPH

Speed triggered messages: "SLOW DOWN" or "TOO FAST" in 7" (17.8 cm) high electronic characters, two-line display for text. Highway Gothic font

LEDs: Amber (590 nanometers) in color, 100,000-hour life, 30° viewing angle, AlInGaP technology

Brightness: 20,000 candela per square meter, Auto dimming

Legibility distance: 750 ft (228.6 m)

YOUR SPEED Legend: 6" (15.2 cm) Highway Gothic font

Front face sheeting: 3M™ Diamond Grade™ high visibility prismatic retroreflective sheeting

YOUR SPEED Sign Color: Yellow, Fluorescent Yellow-Green, Fluorescent Orange or White

RADAR SENSOR

Doppler Radar

K-Band (24.15 GHz), license-free (FCC part 15 compliant)

Radar detection range up to 1000 ft. (304.8 m) depending upon vehicle size, speed of approach, and configuration.

CONSTRUCTION

Outside dimensions 30" w x 41" h x 3" d (76.2 cm x 104.1 cm x 7.6 cm)

Weight: 40 pounds (18.1 kg)

Aluminum metal enclosure, powder coated green

High impact polycarbonate face

NEMA 3R Rated Cabinet

COMMUNICATION

RS-232 and Bluetooth Class 1 or 2 adaptors

[capabilities; V1.0, V1.2, V2.0, V2.1 + Enhanced Date Rate, EDR]

POWER

Solar/Battery kits or AC power supply sold separately

Power requirements: 12VDC, low standby, average day at 8.5 watts, night at 1.5 watts

Voltage requirements: 9VDC-30VDC

ENVIRONMENTAL

-40°F to +165°F operating range (-40°C to +74°C)

WARRANTY

3 year limited warranty + 1 year on batteries

DETAILS

TC-SPEED CONNECT™ CONFIGURATION AND TRAFFIC DATA COLLECTION SOFTWARE

Local configuration, scheduling and data reports

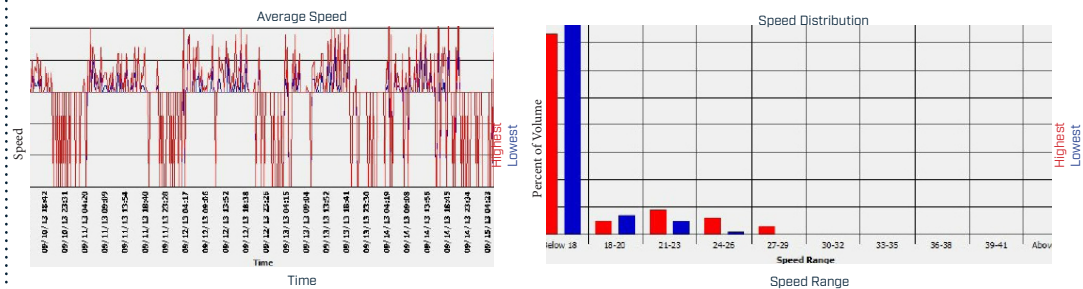
License Free

App for Android and Microsoft Store

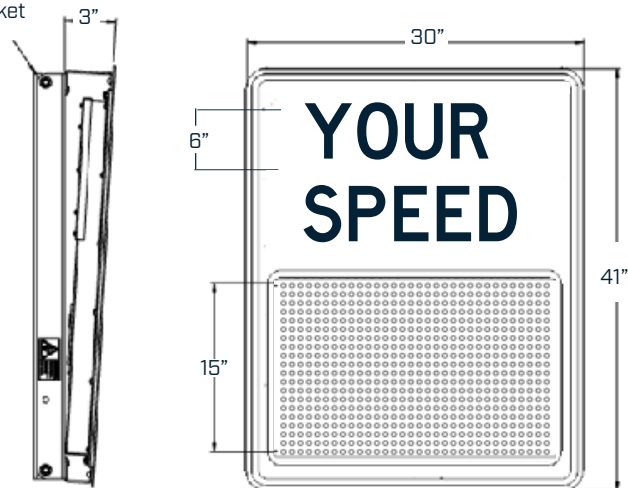
System Health Data: battery voltage, internal temperature, ambient light lux, display function status

Speed Data: date stamp, time stamp, vehicle count, minimum speed, maximum speed, 10 speed bins, average speed, 25th percentile speed, 50th percentile speed, 85th percentile speed

Schedule can be programmed up to 1 year in advance



Flip Bracket



iQ1500 Full Matrix Radar Speed Sign

Part #	Reflective Sheeting Color
M75-15DFB-U001	White*
M75-15DFB-U002	Fluorescent Yellow-Green
M75-15DFB-U003	Fluorescent Orange
M75-15DFB-U004	Yellow

*Non MUTCD Compliant