

30 Watt Solar Panel Kit

SOLAR KIT: M75-SLRPN-030W



30 WATT SOLAR PANEL KIT FOR TRAFFICCALM® FLASHING SIGN SYSTEMS

TraffiCalm® Flashing Sign Systems solar kits are specifically designed to provide extensive flexibility in all its applications and provide year-round operation of the system. We have a multitude of solar kits and will make sure you have the right sized system for your particular location using our sophisticated solar calculator that takes into account the amount of sunlight (insolation), temperature, and cloudy days experienced by month and the power draw of the particular model of Flashing Sign System chosen.

FEATURES

Complete Kit

Includes the solar panel, panel rack, and heavy-duty mounting bracket.

Easy Installation

No trenching required for cables. Utilizes industry standard hardware and mounting techniques. Consistent connectors and fasteners compatible with all TraffiCalm® Flashing Sign Systems.

Environmentally Friendly

Utilizing solar energy combined with the low-power draw of Light Emitting Diodes (LEDs) in TraffiCalm® Flashing Sign Systems, these solar kits are the environmental choice for our planet, while helping make our roadways safer.

3-Year Warranty

3-year limited warranty on the solar kit.

Made in the USA

TraffiCalm® Solar kits are manufactured in the USA in an ISO 9001:2015 certified facility. In addition, we provide you unlimited technical phone support for the life of the unit. Build America/Buy America Compliant.

TRAFFICCALM.COM



SPECIFICATIONS

PHYSICAL DESCRIPTIONS

SOLAR PANEL:

26.57" h x 14.06" w x 1.18" d [675 mm x 357 mm x 30 mm]

Heavy-duty anodized frame

High transparent low-iron, tempered glass

BRACKET:

26.57" h x 14.06" w x 1.38" d [675 mm x 357 mm x 35 mm]

90MPH [144KPH] Wind Load Rating

1.1kN/M2 Snow Load Rating

Side of Pole (u-bolts required) or Wall Mount

CONSTRUCTION

High efficiency 30 Watt Multicrystalline panel mounted to a high-wind resistant panel bracket, and connected via an easy to install, outdoor rated cable harness.

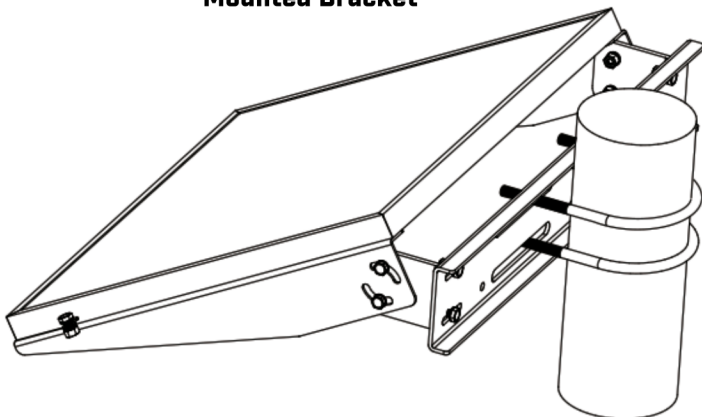
Perfectly matched with an MPPT charging circuit, the solar panel will make the most of what day light is available.

WARRANTY and SERVICE

3 year warranty

Unlimited tech support from US based factory technicians

Mounted Bracket



DETAILS

RELIABILITY

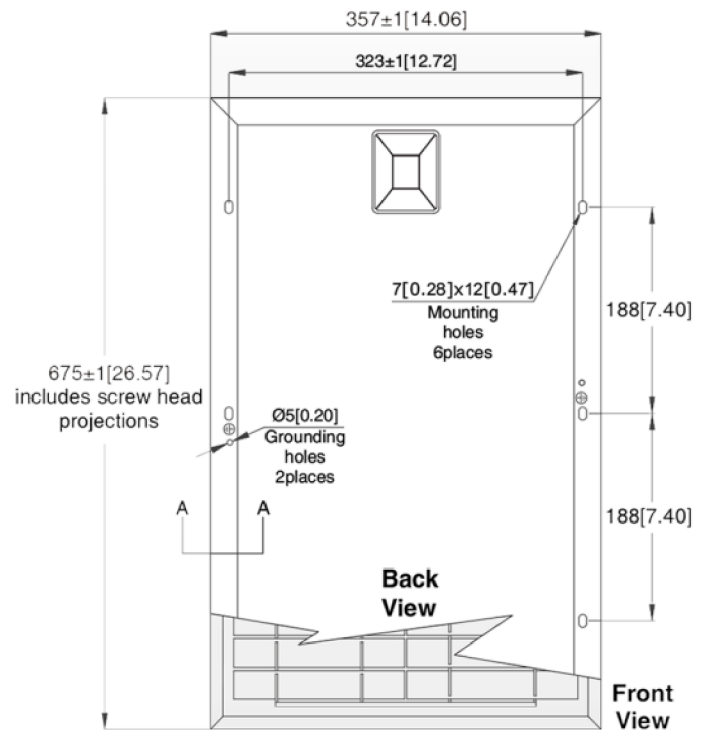
Sourced from reputable suppliers, each solar panel is individually tested for charging functionality and field proven over a decade of use. TrafficCalm® customers have never suffered a failed panel!

To maximize versatility, solar power can not be argued with. Our M75-SLRPN-030W kit maxes out the available input to TrafficCalm® controllers or collaborators, providing sufficient charging in historically difficult installation scenarios.

COMPATABILITY

Site of pole mounted TrafficCalm® E,S,T, and W Series Controllers and Collaborators

Solar Panel Dimensions



Junction Box - Top View
(with lid open)

