

# 150 Watt Solar Panel Kit

SOLAR KIT: M75-SLRPN-150W



## 150 WATT SOLAR PANEL KIT

TrafficCalm® Flashing Sign Systems solar kits are specifically designed to provide extensive flexibility in all their applications and provide year-round operation of the system. We have a multitude of solar kits and will make sure you have the right-sized system for your particular location using our sophisticated solar calculator that takes into account the amount of sunlight (insolation), temperature, and cloudy days experienced by month, as well as the power draw of the particular model of Flashing Sign System chosen.

## FEATURES

### Complete Kit

Includes the solar panel, panel rack, and heavy-duty mounting bracket.

### Easy Installation

No trenching required for cables. Utilizes industry standard hardware and mounting techniques. Consistent connectors and fasteners compatible with all TrafficCalm® Flashing Sign Systems.

### Environmentally Friendly

Utilizing solar energy combined with the low-power draw of Light Emitting Diodes (LEDs) in TrafficCalm® Flashing Sign Systems, these solar kits are the environmental choice for our planet, while helping make our roadways safer.

### 5-Year Warranty

5-year limited warranty on the solar kit.

### Made in the USA

TrafficCalm® Solar kits are manufactured in the USA in an ISO 9001:2015 certified facility. In addition, we provide you unlimited technical phone support for the life of the unit. Build America/Buy America Compliant.

TRAFFICALM.COM



# 150 Watt Solar Panel Kit TRAFFICM

## SPECIFICATIONS

### Physical Descriptions

#### SOLAR PANEL:

44.88in.x27.76in.x1.38in.[1140mmx705mmx35mm]

Heavy-duty anodized frame

High transparent low-iron, tempered glass

#### BRACKET:

Fixed Bracket: Quantity 2 - 27.5" h x 1.97" w x 1.1" d  
(69.85 cm x 5 cm x 2.79 cm);

Fixed Bracket: Quantity 2 - 29.4 h x 3.3 w x 1.9in  
(74.68 cm x 8.38 cm x 4.83 cm);

Tilt Arms: Quantity 2 - 19" h x 1.7" w x 1.1"d  
(48.26 cm x 4.32 cm x 2.79 cm);

Fixed Bracket: Quantity 2 - 4.1" h x 3" w x 2.5" d  
(10.41 cm x 7.62 cm x 6.35 cm)

90MPH (144KPH) Wind Load Rating

1.1kN/M2 Snow Load Rating

Side of Pole (u-bolts required) or Wall Mount

### CONSTRUCTION

High efficiency 150 Watt Mono-crystalline panel mounted to a high-wind resistant panel bracket, and connected via an easy to install, outdoor rated cable harness.

Perfectly matched with an MPPT charging circuit, the solar panel will make the most of what day light is available.

### RELIABILITY

Sourced from reputable suppliers, each solar panel is individually tested for charging functionality and field proven over a decade of use.

TrafficCalm" customers have never suffered a failed panel!

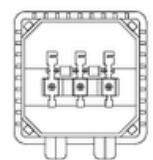
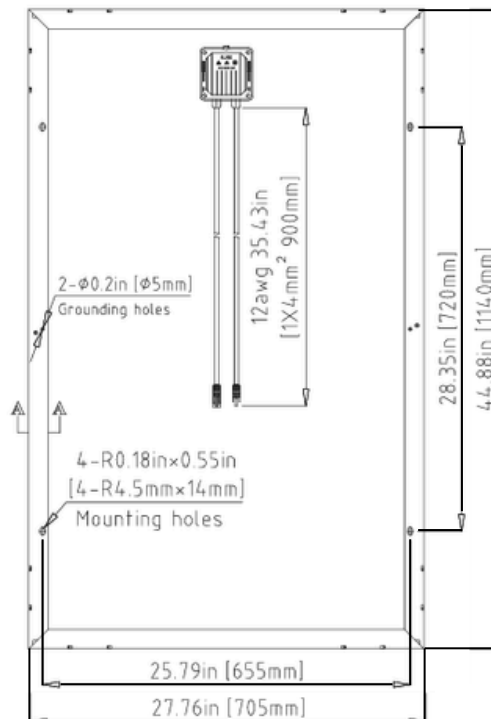
### COMPATABILITY

Site of pole mounted TrafficCalm" E,S,T, and W Series Controllers and Collaborators

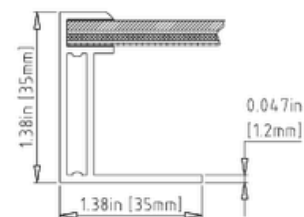
### Warranty and Service

5 year warranty

Unlimited tech support from US based factory technicians



Junction Box  
Top View (Lid Open)



Section A-A

\*Due to changing markets and advancements in solar panels, Sizes and voltage may vary, please consult TrafficCalm for the latest cut-sheets