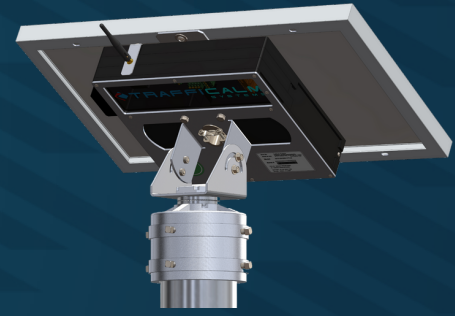


# Intelligent Controllers / Collaborators

## DUPLEX SERIES



### INTELLIGENT CONTROLLERS: DUPLEX SERIES

The core of the TrafficCalm® Flashing Sign systems, the Intelligent Controllers and Collaborators, are the "brains" of the group. These devices handle everything from flash rate to automatic brightness control to scheduling.

Each Controller or Collaborator allows inputs from a TrafficCalm Smart Radar Sensor and one additional activation device, like a pushbutton or a sensor. Additionally, it has outputs for two flashing LED rings, rectangular rapid flashing beacons, or round beacons, for example. The Flashing Sign Systems' possibilities are endless.

### FEATURES

#### Easy Configuration and Setup

Quick configuration via TC-Connect, a Wi-Fi connection platform developed by TrafficCalm that requires NO Internet Connection! With any browser enabled device, the installer can easily log on and select from multiple options and settings including Flash Duration, LED Brightness, and Dimming Control. Optional TC-Remote compatible controllers allow agencies to remotely connect to multiple TrafficCalm Flashing Sign Systems in one easy-to-manage web-based platform.

#### Ruggedized Electronics

All electronics are fully epoxy-potted and environmentally sealed. The entire Controller or Collaborator, solar panel, batteries, radar, and Flashing LED Sign Ring can be fully submerged and still operate.

#### One Controller - Multiple Applications

Each TrafficCalm Intelligent Controller or Collaborator can be configured to be an All-Flash System, Push-2-Cross System, Sequencing Chevron System, Conflict Intersection or High Water Warning System.

#### Made in the USA

TrafficCalm Controllers/Collaborators are manufactured in the USA in an ISO 9001:2015 certified facility. In addition, we provide unlimited technical phone support for the life of the unit. Build America/Buy America Compliant.

TRAFFICCALM.COM



## SPECIFICATIONS

### Physical Descriptions

Mounting: Universal bracket accommodates most industry standard round or square posts of suitable load rating

Designed for retrofit installation to existing infrastructure

NEMA 4X Aluminum and High Density Polyethylene Enclosure

All electronics potted for weatherproofness

Stainless fasteners used for corrosion resistance

-40° F to +140° F (-40°C to 60° C) operating range

### Input / Output

Inputs: 2 per Controller. Optional input devices include push buttons, environmental sensors, over-height sensors, and others

Outputs: 2 per Controller or Collaborator, 12W max requirement. Output devices include: Sign Rings, Rectangular Rapid Flashing Beacons (RRFBs), and Round Beacons

Radar Port: Accepts input from TrafficCalm® Smart Radar Sensor

Light sensor for configurable auto-dimming feature based on ambient light conditions

### System Requirements

Each "system" will have a maximum of one Controller. Additional signs on separate poles or posts in the system are run by Collaborators. For example, in a crosswalk there should be one Controller on one side of the street and one Collaborator on the other side of the street. When a push button is activated on either side of the street, both poles with rectangular rapid flashing beacons and rings flash simultaneously.

### Controllers/Collaborators Integrated with Solar/Battery Kits

	Duplex Series 20 Watt	Duplex Series 30 Watt
Intelligent Controller	M75-SA30M-CTL2	M75-SA30M-CTL3
Intelligent Collaborator	M75-SA30M-CLB2	M75-SA30M-CLB3
TC-Remote Compatible Controller	M75-TCR0M-CTL2	M75-TCR0M-CTL3
Weight	36 lbs/16 kg	39 lbs/17 kg
Dimensions	15.35" w x 14.17" h x 1.18" d (39 cm, 36 cm, 3 cm)	14.17" w x 22.44" h x 1.18" d (36 cm, 57 cm, 3 cm)
AC/Solar	Integrated Solar	Integrated Solar
Battery	AGM, 24Ah, 12V	AGM, 24Ah, 12V
Solar Panel	20W/1.74A (included)	30W/1.74A (included)

### TC-Connect™ User Interface

Wi-Fi Connectivity: No Internet Connection required

Mode Selection: Pedestrian Crossing, Curve Warning, All Flash, Conflict Intersection, High Water Warning

Configurable Flash Duration (60 flashes/minute by default)

Retrievable activation logs are stored for at least 365 days

On screen status reporting includes: Controller to Collaborator(s) signal strength, Controller and Collaborator(s) flasher output voltages, Controller and Collaborator(s) input voltage (battery or AC devices), Controller and Collaborator(s) charging voltage, Controller and Collaborator(s) firmware version

### Radio Communication Between Controllers and Collaborators

Wireless activation within 100 milliseconds

Wireless range of 3,500 ft/1066.8 m line of sight, 1,500 ft/457 m non-line of sight.

2.4 GHz radios

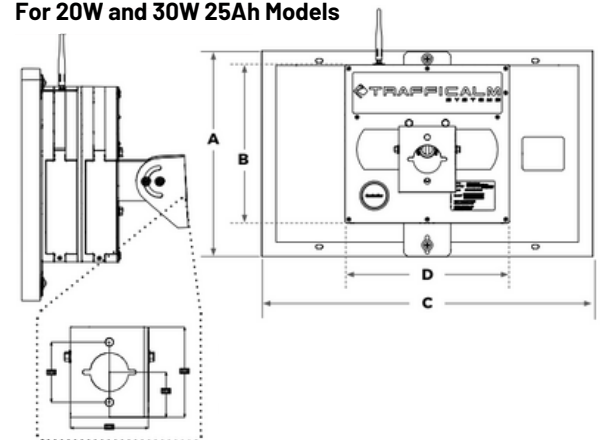
### WARRANTY and SERVICE

5 year limited warranty, 1 year on batteries

Unlimited tech support from US based factory technicians

### Duplex Series

For 20W and 30W 25Ah Models



	A	B	C	D
M75-SA30M-CTL2	14.7 in	10.8 in	15.35 in	11.2 in
M75-SA30M-CLB2	36 cm	27.5 cm	39 cm	28.5 cm
M75-TCR0M-CTL2				
M75-SA30M-CTL3	22.44 in	10.8 in	14.17 in	11.2 in
M75-SA30M-CLB3	57 cm	27.5 cm	36 cm	28.5 cm
M75-TCR0M-CTL3				