



DriveBrite™ *Series* LED Driver Feedback Signs

Installation Instructions (029-04408-0000)

Sept 2013

12SE LED Driver Feedback Sign

Contents

REVISION BLOCK	2
1 About this Manual	3
1.1 Purpose of Manual	3
1.2 Manual Conventions.....	3
1.3 Related Document.....	3
1.4 Manual Organization.....	3
2 Safety Information	4
2.1 Intended Use	4
2.2 Technical Support	4
2.3 Safety Messages	4
2.3.1 Safety Message Format	4
2.4 Safety Messages Contained in This Manual.....	4
2.5 Safety Considerations.....	6
2.5.1 Personal Safety Equipment and Clothing	6
2.5.2 Electrical Shock	6
2.5.3 RF Exposure	6
2.5.4 Battery Safety	6
2.5.6 Functional Safety	8
3 Description	8
3.1 12SE DFB Sign Specifications	10
3.2 12SE DFB Sign Power Kit	10
4 Pre-Installation	10
4.1 Site Survey.....	10
4.2 Pole Selection	11
4.3 Mounting Bracket.....	11
4.4 Sign Test Procedure	11
4.4.1 Expected Sign Behavior	12
5 Installation	12
5.1 Sign Installation	12
5.1.1 Aiming the Sign	13
5.1.2 Sign Radar Operation	13
5.1.3 Radar Properties	13
5.1.4 Measurement Angle	14
5.2 Powering on and Programming Sign.....	15
5.2.1 Speed Settings.....	15
5.2.2 Squelch Adjustment	15
5.2.3 Setting Units	16
5.2.4 Setting Brightness Adjustment	16
5.2.5 Setting Start-Up Option.....	16
5.2.6 Setting a Security PIN	16
5.2.7 Programming Timed Operation	17
5.2.8 Display Test and Demo	17
6 Troubleshooting	18
6.1 General Troubleshooting	19
Warranty	22
Appendix A: 12SE DFB Drawing	23
Appendix C: Status LED Key	24

REVISION BLOCK

REV.	DESCRIPTION	DATE	APPROVED
A	Original Release	09/4/2013	

TraffiCalm Systems products are built in an ISO9001 certified facility.



1 About this Manual

1.1 Purpose of Manual

This manual provides the installation and setup instructions for the TraffiCalm 12SE LED Driver Feedback Sign. This manual is intended for use by installers, maintenance personnel, and others who are responsible for the installation and maintenance of the driver feedback signs.

1.2 Manual Conventions

The conventions listed in Table 1-1 help to make this manual easier to use by presenting a uniform approach to the descriptions, phrases, and nomenclature.

1.3 Related Document

Other documents pertaining to Driver Feedback Signs (DFB) the supplemental installation guides for the solar and battery options not listed in this manual.

1.4 Manual Organization

This manual is divided into seven sections and two appendixes.

Section 1. About This Manual

Contains information about the organization and content of this manual.

Section 2. Safety Information

Contains important information about the safety messages, safety considerations, and procedures for installing this equipment.

Section 3. Description

Describes the driver feedback sign and related accessories.

Section 4. Installation Requirements

Describes the components, tools, and information you must have available before installing a DFB.

Section 5. Pre-Installation

Describes tests used to verify that all of the sign's electrical components are functioning properly prior to installation.

Section 6. Installation

Describes system installation, startup, and operation for the 12SE DFB.

Section 7. Troubleshooting

Contains general troubleshooting information for all DFB signs.

Appendix A. 12SE DFB Drawing

Contains a drawing for the 18x24 inch driver feedback sign model.

Appendix B. Recommended External Beacon Wiring

Contains recommended external beacon wiring drawings.

Table 1-1. Manual Conventions

Element	Convention	Example
Acronyms	Uppercase	LED
Abbreviations	Lowercase ...except where standard Usage is uppercase	ms (milliseconds) Mb (megabits) MB (megabytes)
Model names	First or formal reference; initial caps	TraffiCalm 12SE Driver Feedback Sign
	Subsequent use or informal reference:	Driver feedback sign, DFB or sign

2 Safety Information

We provide important safety information and warnings to assist you in understanding and avoiding potential harm to yourself, and possible damage to equipment during the installation of the Driver Feedback Sign. Although we have included many potential hazards you may encounter during the installation of this equipment, we cannot predict all of the possible hazards and this list should not be a substitute for your judgment and experience.

Please read and observe all safety information and instructions in this manual before installing the system equipment. Also, save this installation manual for future reference.

If you are unsure about any part of this installation or of the potential hazards discussed, please contact your supervisor immediately.

2.1 Intended Use

Driver feedback signs are intended to be used as a traffic calming tool, informing motorists of their actual speed in real-time.

2.2 Technical Support

If you have questions about the system, its use, or operation, please contact your local partner or call the TrafficCalm Technical Service department at 1-855-738-2722, in the U.S.A. Technical service hours: Monday through Thursday, 7:00 AM to 5:00 PM and Friday from 7:00 AM to 12:00 PM Pacific Standard Time.


2.3 Safety Messages

We include safety messages in this manual to help you protect your safety and the safety of others. This section contains important information to help you recognize and understand these safety messages.

Please read all messages before proceeding with the installation of this equipment.

2.3.1 Safety Message Format

Safety messages are designed to alert you to potential hazards that can cause personal injury to you or others. They can also indicate the possibility of property damage.

Each safety message box contains the safety alert symbol ; and one of three signal words:

DANGER, WARNING, or CAUTION; plus a safety message.

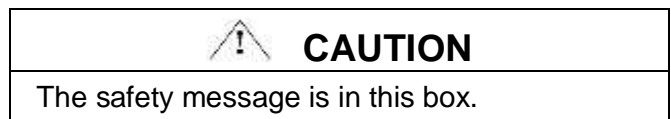
The signal words and symbols, and their meanings, are shown below:



DANGER indicates a potentially hazardous situation, which, if not avoided, will result in death or serious injury and/or property damage.



WARNING indicates a potentially hazardous situation, which, if not avoided, could result in death or serious injury and/or property damage.

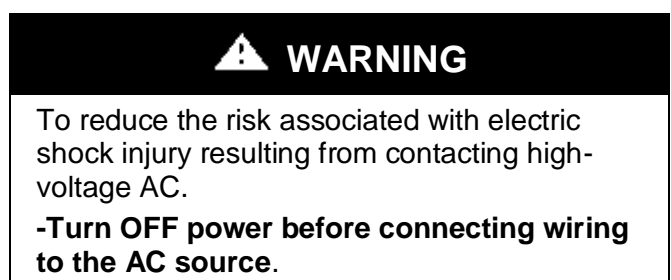


CAUTION indicates a potentially hazardous situation, which, if not avoided, may result in minor or moderate injury and/or property damage.

In addition to the symbols and words explained above, each safety message identifies the hazard, describes what you can and should do to avoid the risk of exposure to the hazard, and tells the probable consequences of not avoiding the hazard.

2.4 Safety Messages Contained in This Manual

The following safety messages appear in this manual:



⚠ WARNING

To reduce the risk of electric shock related injury resulting from contacting hazardous AC voltage:

- **Portions of this equipment derive power from sources that have high voltage levels. These must be serviced by qualified personnel, who have previous training or certification to safely work on high voltage equipment.**

Consult a Qualified Electrician.

⚠ WARNING

Battery acid may cause skin irritation and eye injury. **To reduce the risk of burns or other acid related injury resulting from handling lead-acid batteries:**

- Wear gloves, goggles, and an apron when handling batteries
- Beware of cracked battery cases
- Handle batteries with care.

⚠ WARNING

To reduce the risk of burns or other acid-related injury resulting from exploding batteries:

- Always use the recommended charging systems with this product.

⚠ WARNING

To reduce the risk associated with contamination of water supplies resulting from improper disposal of batteries containing lead and acid:

- Please dispose of batteries in accordance with all local government laws and regulations.

⚠ CAUTION

Radar RF energy can be harmful to the eyes. **To reduce exposure to the risk of RF energy, do not stare into the radar antenna. Keep a minimum safe distance of 20cm (8-inches) from display face.**

IMPORTANT

Cleaning screen surfaces with solvents may damage the screening ink.

⚠ CAUTION

An accidental short circuit may instantly heat conductive jewelry, tools, and surrounding objects to skin-searing temperatures. **To reduce this risk when working around batteries:**

- Keep tools, jewelry, and other conductive objects away from the battery terminals.

⚠ WARNING

To reduce the risk of impact hazards resulting from falls, accident with a passing vehicle, and/or from unstable equipment:

- Use appropriate work zone traffic control methods, equipment, and procedures.

⚠ CAUTION

Strain or back injury may result from lifting equipment improperly. **To reduce the risk of strain or back injury, use proper lifting techniques and have adequate help.**

⚠ CAUTION

To avoid the possibility of injury due to falling or unstable equipment:

- Be certain the sign is mounted to an appropriately rated pole or equivalent mounting surface.
- Use appropriately rated mounting hardware.

	⚠ WARNING
	<p>Pinch Points. Moving part can crush or cut. KEEP CLEAR.</p>

2.5 Safety Considerations

Please consider the following safety issues before servicing TrafficCalm Driver Feedback Signs.

Although we have compiled this list of common safety considerations, it should not be considered as complete. It is not intended to take the place of your good judgment, training, and experience. Choose the right equipment for the job. If you are unsure of which safety equipment is recommended or appropriate for the job, ask your supervisor or foreman.

2.5.1 Personal Safety Equipment and Clothing

Personal safety equipment and clothing including high visibility vests, hard hats, gloves, electrical shock or electrocution protection clothing and equipment, safety shoes, safety glasses, face shields, goggles, and hearing protection devices are just some of the items available to you.

2.5.2 Electrical Shock

As a trained installer of electrical equipment you are aware of the dangers associated with servicing electrical devices. Always be sure that the power to the equipment, and all associated equipment, is turned off before beginning any procedure. Use the equipment, techniques, and procedures that you learned during your training or apprenticeship or other electrical industry recognized safety procedures.

WARNING

To reduce the risk associated with electric shock injury resulting from contacting high-voltage AC.

-Turn OFF power before connecting wiring to the AC source.

WARNING

To reduce the risk of electric shock related injury resulting from contacting hazardous AC voltage:

-Portions of this equipment derive power from sources that have high voltage levels. These must be serviced by qualified personnel, have previous training or certification to safely work on high voltage equipment.

Consult a Qualified Electrician.

2.5.3 RF Exposure

This product uses devices that radiate RF energy in the course of normal operation. Always maintain a safe working distance from the display face of 20cm (8-inches) minimum, when display is powered.

CAUTION

Radar RF energy can be harmful to the eyes. **To reduce exposure to the risk of RF energy, do not stare into the radar antenna. Keep a minimum safe distance of 20cm (8-inches) from display face.**

2.5.4 Battery Safety

WARNING

Batteries may produce an explosive gas under some conditions. This gas may easily be ignited by a spark or flame as you work near the battery. To reduce this risk of explosion:

-Disconnect the battery

-Work in a well-ventilated area

-Avoid the use of devices that create sparks or use open flames

-Use appropriate personal safety equipment and clothing

⚠ WARNING

Battery acid may cause skin irritation and eye injury. **To reduce the risk of burns or other acid related injury resulting from handling lead-acid batteries:**

- Wear gloves, goggles, and an apron when handling batteries
- Beware of cracked battery cases
- Handle batteries with care.

⚠ WARNING

To reduce the risk of burns or other acid-related injury resulting from exploding batteries:

- Always use the recommended charging systems with this product.

⚠ WARNING

To reduce the risk associated with contamination of water supplies resulting from improper disposal of batteries containing lead and acid:

- Please dispose of batteries in accordance with all local government laws and regulations.

⚠ CAUTION

An accidental short circuit may instantly heat conductive jewelry, tools, and surrounding objects to skin-searing temperatures. **To reduce this risk when working around batteries:**

- Keep tools, jewelry, and other conductive objects away from the battery terminals.

2.5.5 Mechanical Safety**⚠ WARNING**

To reduce the risk of impact hazards resulting from falls, accident with a passing vehicle, and/or from unstable equipment:

- Use appropriate work zone traffic control methods, equipment, and procedures.

⚠ CAUTION

Strain or back injury may result from lifting equipment improperly. **To reduce the risk of strain or back injury, use proper lifting techniques and have adequate help.**

⚠ CAUTION

To avoid the possibility of injury due to falling or unstable equipment:

- Be certain the sign is mounted to an appropriately rated pole or equivalent mounting surface.
- Use appropriately rated mounting hardware.

NOTICE

This equipment generates, uses, and can radiate radio frequency energy and, if not installed and used in accordance with the instruction manual, may cause harmful interference to radio communications.

However, there is no guarantee that interference will not occur in a particular installation. If this equipment does cause harmful interference to radio or television reception, which can be determined by turning the equipment off or on, the user is encouraged to try to correct the interference by one or more of the following methods:

- **Reorient or relocate the receiving antenna.**
- **Increase the separation between the equipment and the receiver.**
- **Connect the equipment on an outlet separate from that to which the receiver is connected.**
- **Consult an experienced radio/TV technician for help.**

CAUTION: Changes or modifications not expressly approved by TrafficCalm could void the user's authority to operate the equipment!

Driver Feedback Signs present the driver with a highly visible display in the daytime or nighttime and under all weather conditions using high output LED's with photocell controlled automatic dimming. The automatic dimming provides the following benefits:

- Reduces power consumption and extends LED life
- Prevents "blooming" at night
- Provides excellent visibility in all conditions

The construction of the sign presents an easy installation with an environmentally protected electronics control system, which incorporates the battery power supply, that mounts onto the pole mount with two bolts and an optional lock (Figure 3-2).

The net effect is a driver feedback sign that is reliable and highly visible in all conditions. The Driver Feedback Sign in combination with a passive sign, which posts a regulatory speed, is an effective traffic calming tool designed to help reduce roadway speeds by enhancing a driver's speed awareness. Public safety is increased when roadway speeds are reduced.

2.5.6 Functional Safety

**WARNING**

The beacon outputs of this display should not be used as the only means to notify drivers of speed limit changes in school or work zones.

- Use an approved safety device or signage to notify drivers of traffic zone changes that may affect the safety of pedestrians, workers, or drivers.

3 Description

TrafficCalm Driver Feedback Signs offer an innovative traffic calming solution to vehicle speed management problems. The Driver Feedback Sign (Figure 3-1) is a fully self-contained, numeric sign. The sign's LED display provides "real-time speed" to drivers within the sign's radar detection zone. If the vehicle speed exceeds the programmed speed limit, LEDs will flash to alert the driver of the speed violation.



Figure 3-1. Driver Feedback Sign



Figure 3-2. Easy Removal

3.1 12SE DFB Sign Specifications

Electrical

Solar Charger

Maximum power point tracking: 17.2VDC

Maximum input Wattage: 60W

Maximum Output: 14.6VDC

Temperature compensated and protected

Operating Environment

Temperature range: -34°C to +74°C Ambient

-29.2°F to +165.2°F

Humidity: 95% Non-condensing

Radar

Frequency: K-band (24.125 GHz)

Cone of View: 30 deg

Detection range: approx. 400 ft (+400/-100)

Sign Size

24 inches wide

30 inches high

2.25 inches thick

Sign Weight

32 lbs

Communications

IR Remote

Configurable Parameters Using IR Remote

- Below minimum - blank display
- At speed limit +1 - blinking display (2Hz cycle)
- At speed limit +4 – increasing blinking display (three increments up to 5hz at speed limit +12)
- Above maximum speed – blank display
- Radar squelch (sensitivity)
- Units (MPH/KPH)
- Brightness offset
- Security PIN (5-Digits)
- Simple, 24hr On/Off schedule
- Schedule Delay

3.2 12SE DFB Sign Power Kit

The 12SE Sign is designed for use with the included solar panel, mounting system, conduit, and enclosed battery.

The following tables contain the specifications for the solar panels and the batteries.

Table 3-2. Solar Panel Specification

Rated Power (Watts)	20		
Operating Voltage (Volts)	17.2V		
Operating Current (Amps)	1.16A		
Open Circuit Voltage (Volts)	21.6V		
Short Circuit Current (Amps)	1.31A		
Minimum blocking diode (Amps)	6A		
Dimensions (Inches) Width, Height, Depth	14.06	22.68	1.18
Weight (lbs/kgs)	6.17		

Table 3-4. Battery Specification

Type	NiMH		
20 Hr Rate (AH)	30AH		
Dimensions (Inches) Width, Height, Depth	7-5/8	5-3/16	7

4 Pre-Installation

The 12SE Driver Feedback Sign should be installed on roadway sections that provide the most benefit to the public. Once an installation site has been selected, it should be verified with a site survey.

Also, prior to installation, the sign should be tested to verify that the sign's electrical components are functioning properly and that the sign was not damaged during shipping.

If any of the tests performed fail, refer to the troubleshooting section of this manual to diagnose the problem.

4.1 Site Survey

Before installing the Driver Feedback Sign, an installation site must be selected. It is very important to select a site with the following characteristics:

There must be a clear view of the sign from the roadway for at least 500 feet and, the viewing area must be clear of trees. Attenuation of the radar's signal, caused by trees, may reduce the radar's effective range.

Do not install the sign facing an intersection or bridge if possible. If the sign must be installed facing an intersection or bridge, the sign should be located at least 400 feet away. Cross-traffic may be registered by the radar as an oncoming vehicle.

The sign should be located at least 200 feet away from large street signs that fall within the radar's detection zone and cause the radar to reflect its' output. Reflecting the radar's output by objects such as signs may cause vehicles to be detected in the opposite direction.

Install sign in roadway geometries that allow clear view of the sign's display and provide the most efficient radar detection zone.

The solar panel needs to have a clear, south facing view of the angle of the sun in winter time.

Proper site selection will provide the greatest traffic calming effect and sign performance.

4.2 Pole Selection

Pole selection for the Driver Feedback Sign is an important element in the installation design. Poles selected for mounting the DFB must support the weight and wind loading of the sign, power option and any static signs. Crash worthiness may also need to be considered. Use a break-away pole and attach the display using a 3 point bolt structure to improve crash worthiness.

Based on a wind load of 29 pounds per square foot, the sign wind load is 174 pounds. Based on an ice load of 3 pounds per square foot on all surfaces and dead load the max sign weight is 120 pounds. This is based on a max wind of 90 mph with an exposure category of C reference the International Building Code. For different wind and ice conditions, consult a local engineer. Supply mounting hardware and poles adequate for the loads. If using bands, do not over-tension.

After a storm approaching or exceeding 90 mph winds, inspect the sign and mounting for damage and replace or repair as required.

In mounting the sign use a minimum of 2 bands centered on the back mounting bracket or a minimum

of 3 each, 3/8" bolts with flat washers and other mounting hardware as required.

4.3 Mounting Bracket

The 12" Driver Feedback Signs are provided with mounting provision at the back of the sign. The mounting provision is designed to be banded and/or anchored/bolted to the mounting structure. Anchoring and bolting is recommended over banding to improve performance in areas where high wind is normally expected and for increased crash integrity capability. Listed below is some additional mounting hardware that may be used to mount the sign to a pole:

Preferred method:

- Pelco Bands, P/N: US-8124-06
- Pelco Banding Buckles, P/N: US-8124-56
- Tools Needed: Pelco P/N: US-8120-01 and US-8120-06 handle.

Another option is the EZ-Band Kit P/N US-8500 (one per band) with US-8122-06 banding, or US-8504 with US-8124-62 banding. Standard tools can be used to tension these; however they are not as secure since standard tools can also remove them.

- Pelco can be contacted at 1 (405) 340-3434 for product and ordering information.

4.4 Sign Test Procedure

Remove the battery access panel and connect the two red wires. Replace the battery panel.

Connect the sign to either the supplied solar panel (if testing outdoors), or a 18VDC, 3.33A power supply to charge the built-in battery.

Verify that the display and display controller are functioning correctly.

Using the supplied IR remote place the sign in test mode (see section 5.2.5)

The sign then cycles through its test character set until the sign is taken out of test mode using the remote

Visually verify display functionality. If the sign fails, refer to the Troubleshooting section of this manual for help.

Turn on the display with the included remote (see section 5.2). The sign enters its normal mode of operation. Note: The manufacturer setting powers up with the radar on.

Place the sign in a location where vehicles are approaching the sign within the range of the radar. Visually verify that the sign is displaying a speed value approximately equal to that of the approaching vehicles.

4.4.1 Expected Sign Behavior

The table below (Table 4-1) details the expected operating behavior of a DFB’s scheduled ON/OFF states. SPEED represents the state where a DFB is measuring and displaying vehicle speeds. BLANK represents the state where no vehicles are approaching the sign or the sign is in the scheduled OFF state.

Table 4-1. DFB Operation Behavior

TIMED DISPLAY STATUS	Vehicle Present	No Vehicle Present
ON	SPEED	BLANK
OFF	BLANK	BLANK
NON TIMED		
Display OFF	BLANK	BLANK
Display ON	SPEED	BLANK

5 Installation

This section contains installation procedures for a Driver Feedback Sign (DFB). The 12SE DFB includes the required solar panel and hardware for most installations.

5.1 Sign Installation

Attach the mounting bracket to a suitable pole or structure.

The bottom of the sign should be about 7 feet above the ground as shown in Figure 5-1. Aim and band or bolt the sign to the pole.

Assemble the DFB sign (A) to mounting bracket (B) as shown in Figure 5-2. *Be careful to keep fingers clear of the brackets as they come together since they may form a pinch point. Do not over-tighten the 2 mounting bolts (C).* They act as a pin, and are not intended to compress the mounting bracket. Take care when handling the edges of the sign and bracket, especially when attaching the sign onto the bracket.



Figure 5-1. Typical DFB Mounting

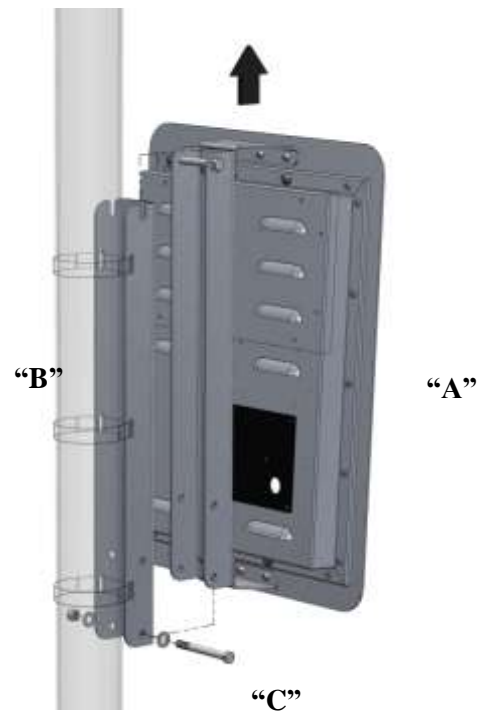


Figure 5-2. Connecting DFB Sign to Bracket

The sign is securable with two locking mechanisms. The first is a padlock at the bottom hole of the mounting bracket. To use a padlock, place bolt “C” in the upper location and fasten the padlock as seen in figure 5-3. The second is with a readily available trailer “barbell” lock as seen in figure 5-4





Figure 5-3. Securing Sign with Padlock



Figure 5-4. Securing Sign with “Barbell” Lock

5.1.1 Aiming the Sign

The 12SE DFB contains an internally mounted radar speed detector to detect on-coming vehicle speed. The radar requires that the face of this sign be aimed, allowing the radar to accurately detect vehicles. For best operation, the face of the sign should point into traffic as close to parallel with the direction of traffic flow as possible. For best accuracy, the angle of incidence should be 5 degrees or less. Angles of incidence greater than 10 degrees will display slower than actual vehicle speed. For best range try not to aim the sign so that the lanes of receding traffic are in the radar detection area.

5.1.2 Sign Radar Operation

The sign's radar continually emits weak levels of microwave energy at a specific frequency (K-band, 24.15 GHz) and scans for returns from moving objects. When this microwave energy encounters an object, some of the energy is reflected back to the radar. If the object is moving, the frequency of the reflected microwaves is changed by an amount proportional to the relative speed of the moving object. This characteristic frequency change is known as “Doppler Effect.” The radar unit measures the difference between the frequency of transmitted energy and the frequency of the reflected energy to determine the relative velocity of the moving object. Ensure that the following items are taken into

consideration when choosing an installation site for the sign:

The sign may display speeds of vehicles traveling perpendicular to the sign's face. Ensure that the sign is not installed within 400 feet of an intersection, bridge, or similar roadway feature.

Obstructions such as a static sign, building, inclination, or similar factors may influence the distance range of the vehicle detection and the accuracy of the displayed speed values.

The radar needs to have a clear view of the targeted vehicles. Avoid mounting the sign behind trees, poles, tall parked vehicles, and so on.

The system should not be used in the range of road turns and bends. This may result in the sign displaying speeds that are lower than the actual speed of the object.

5.1.3 Radar Properties

The distance range of all microwave detectors depends to a large extent on reflection properties of the measured objects and interference properties of the nearby surrounding objects.

The following properties can be expected:

Vehicles that appear larger and flatter to the microwave beam axis provide a longer radar detection range.

A less absorbing and scattering reflective surface results in a longer detection range.

As more objects obscure the radar measurement beam, the detection zone will become shorter (diffraction scattering, foliage losses, shadow losses, and so on).

The following factors have a reducing effect on the distance range:

Buildings, trees, poles, parked cars and containers, which hamper the “free sight” of the radar detector and may lead to shorter ranges.

Influence by weather, rain and snow lead to absorption losses at the radar detector.

“Blinding of the Radar” by stationary traffic in the radar beam, or extraneous moving objects like branches of trees, birds and so on.

Depending upon vehicle type and reflective properties, the typical passenger car will have a detection range of 400 feet for the 12SE DFB. For

trucks, the distance range is about 50% to 100% longer due to the larger reflective surface. For motorcycles, distance range is reduced by 50%.

The above mentioned detection distance limits are not a limitation of the radar itself, but the optimal viewing distance of the driver. We reduced the radar's detection range so that the driver can view his/her speed clearly while approaching the sign. The optimum distance range has a sign mounted at a height of 7 feet from grade to the sign's housing bottom.

5.1.4 Measurement Angle

The angle between detector beam axis and the movement axis of the detected vehicle (see Figure 6-3) has direct impact on the measured speed. This is expressed by following formula:

$$V_{\text{measure}} = V_{\text{absolute}} \times \cos \phi$$

with ϕ : measuring angle

The ideal measurement angle is 0° , this means $V_{\text{measure}} = V_{\text{absolute}}$ and movement axis and radar beam axis are identical in this case.

IMPORTANT

The error in the speed values will become greater as the measurement angle increases.

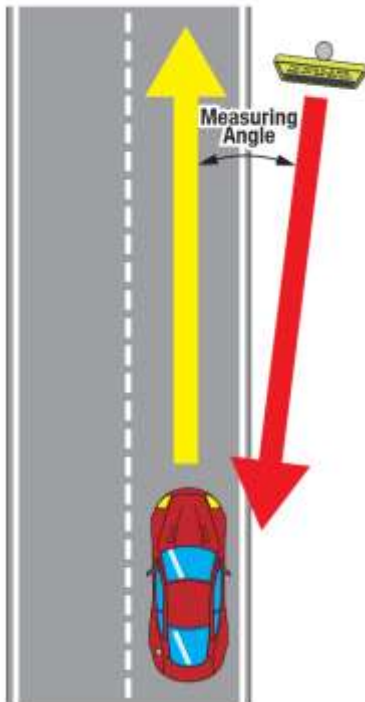


Figure 5-5. Radar Speed Errors

5.1.5 Wiring Instructions

In addition to these instructions use best practices as prescribed by the NEC. These instructions should only be carried out by a qualified technician.

The 12SE includes the necessary wiring to safely connect the solar panel to the charge controller and battery reserve built into the sign's chassis

Connecting the Sign to power (See Figure 5-6 and 5-7):

1. Ensure the battery is disconnected by removing the battery service cover and unplugging the red wire at connector. The battery is disconnected when shipped from the manufacturer
2. Install liquid tight conduit from the solar panel to the field wiring plate on the back of the sign using one of the provided knockouts
3. Route the solar panel positive and DC common wires from the solar panel to the sign through the conduit
4. Insert the positive conductor into the terminal strip position marked "+12VDC" Insert the DC common conductor into the terminal strip position marked "DC COM"
5. Fasten the field wiring plate back onto the back of the sign.
6. Connect charge connector back to the batteries by reconnecting the red wire removed in step 1.
7. Reinstall the battery door
8. Test the sign to ensure the installation was successful. See section 5.2.5 for information on sign test.



Figure 5-6 12SE Service Panel Access

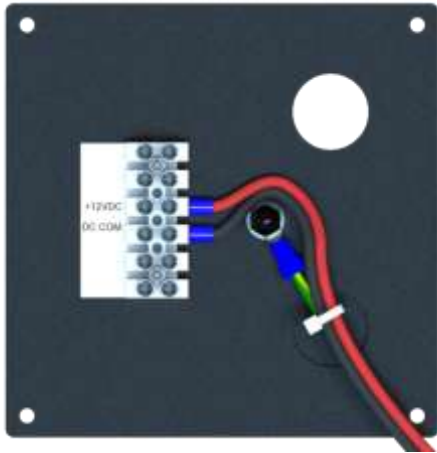
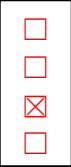


Figure 5-7 12SE DFB Wiring

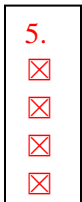
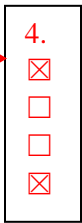


5.2 Powering on and Programming Sign

This section provides instructions on how to power on and program the sign with the included IR remote. The sign features several configuration options to suit the installation. See diagram 5-8 for the layout of the remote. The sign also features 5 discrete status lights in the 10's digit, the bottom light confirms power and the top 4 report various programming

STATUS LED CONFIGURATION NOTED NEXT TO EACH SECTION. Sign Status LEDs are found in the upper portion of the 10's digit

functions See Appendix C for LED sequence key. To program the sign:



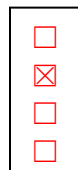
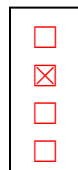
1. Ensure the included remote has charged AAA batteries installed. To check, press the "OK" button and visually confirm the remote's red status light illuminates
2. The remote works from about 5 to 20 feet of the face of the sign depending on the presence of bright light or fluorescent lamps
3. On the remote, select "SIGN"
4. Press "OK"
5. Enter 5 digit security PIN if one has been programmed; the default setting is no pin

6. Select "RUN," "TEST," "DEMO," OR "MENU"

5.2.1 Speed Settings

The sign is shipped from the manufacturer with a speed configuration pre-installed of 15, 25, and 50 MPH. You will need to program the sign to suit the installation.

The sign has three speed thresholds which need to be set. The first is the lowest speed that the sign will display; below this the sign will be blank. The second is the actual speed limit of installation; above this the sign will blink at incremental rates to increase driver awareness. The third is the maximum speed the sign will display; above this the sign will be blank.



1. Note that if, at any time, you do not wish to adjust any further settings, press "EXIT" on the remote. The adjustments you have finalized (by pressing "OK" or "ENTER") will be saved even if you do not complete the sequence. After exiting ensure that the bottommost status LED (#5) is blinking rapidly
2. Follow the power on sequence in 5.2 then press "MENU." The current setting for the minimum speed is displayed
3. To adjust the setting; press the "OK" button, then either use the "STEP +" and "STEP-" keys or the numerical key pad (0-9) to select the desired speed. When you have set the desired speed press "ENTER" or "OKAY." The setting is now stored in memory
4. Press the "MENU" button again; the speed limit setting will be displayed and the second status light will illuminate. Set the speed limit following step (3)
5. Press "MENU" again and follow step (3) to set the maximum speed
6. Be sure to press "OK" or "ENTER" when finished to save the setting to memory.

If you do not want to adjust the radar squelch, units, brightness, security pin, or start up option press "EXIT" to return the sign to normal operation

5.2.2 Squelch Adjustment

Adjusting the squelch will allow you to fine tune the radar's sensitivity. From the manufacturer it is set to

20. This is a suitable setting for most installations. A lower squelch will increase the sensitivity, and too low may result in false readings. A higher squelch will decrease the sensitivity. Setting the squelch higher can resolve some site specific false readings, though setting it too high will result in reduced range

1. Use the "MENU" button to advance past the 3 speed settings; the sign will display the squelch setting (20 if previously unadjusted). Press "OK." Adjust to your intended setting by either pressing the "STEP+" and "STEP-" or by keying in the number using the numeric key pad (0-9)
2. Note that the squelch can be adjusted from 1-99
3. Press "OK" or "ENTER" when finished

If you do not want to adjust any other settings "EXIT" to return the sign to normal operation

5.2.3 Setting Units

From the manufacturer the sign is programmed to measure in MPH. You can adjust the sign to measure in either MPH or KPH with this setting.

-
1. Use the "MENU" button to advance past the squelch adjustment, the sign will display "00". This signals that the sign is measuring in MPH
 2. Press "OK" to set the units. Enter "01" to set to KPH or "00" to set to MPH. When finished press "OK" or "ENTER" to save the digits
 3. Press "OK" or "ENTER" when finished

If you do not want to adjust any other settings "EXIT" to return the sign to normal operation

5.2.4 Setting Brightness Adjustment

The 12SE sign features an onboard light sensor which adjusts the brightness of the display automatically. The automatic adjustment can be offset more or less by setting the brightness option. The sign will continue to automatically adjust for ambient light, but will reflect the adjustment. From the manufacturer the sign is set to a brightness of "16," any number below 16 will be dimmer, above will be brighter.

-
1. Use the "MENU" button to advance past the unit setting; the sign will display "16" if previously unadjusted.

2. Press "OK" and use the "STEP +" and "STEP-" buttons to set the desired offset.
3. Press "OK" or "ENTER" when finished



5.2.5 Setting Start-Up Option

This setting selects what happens when the sign is powered on. Setting to 0 will cause the sign to be in standby mode when powered on. Setting to 1 will cause the sign to be radar mode when powered on.

-
1. Use the "MENU" button to advance past the brightness setting, the sign will display "0" if previously unadjusted.
 2. Press "OK" and use the "STEP +" and "STEP-" buttons or numeric keypad to set the digit.
 3. Press "OK" or "ENTER" when finished

5.2.6 Setting a Security PIN

From the manufacturer the sign is not programmed with a security PIN. A PIN is unnecessary for regular operation, but provides added security should you feel it is needed. If you create a PIN, write it down in an easily found location. Once the pin is set it cannot be unset or overridden without returning the sign to the manufacturer.

- #1
1. Use the "MENU" button to advance past the start-up option; the sign will display "00". These is the first (of 5) digits that make up the security PIN
- #2
2. Press "OK" to set the digit (valid numbers are 0-9). When finished press "OK" or "ENTER" to save the digit
 3. Advance to the next two digits by pressing "MENU", "00" will now be displayed. Follow step 2 to adjust the second digit. Repeat for the following three digits
- #3
4. Setting the PIN to all zeroes (factory setting) will disable the PIN function
 5. After you have finished programming the pin press "EXIT" to return the sign to normal operation.

The security pin will now need be entered when accessing the sign. To power the sign on (from off mode) press the power button (LED 1 and 4 will illuminate), then "OK" (LED 1 and 4 will continue to be illuminated), then key in your 5-digit pin; the top status LEDs 1-4 will illuminate



in sequence after each digit of the PIN is keyed in. When the 5th digit is keyed in the 4 LEDs will all be off; the sign is ready to be programmed.

Note that after 20 minutes of inactivity the sign will require the PIN to be entered again.

If the status LEDs appear to be acting unexpectedly, the sign may be experiencing IR interference. A pin can be set to lock out the interference and allow for normal operation.

5.2.7 Programming Timed Operation

The sign has a simple 24hr timed function. To set the daily timed operation:

1. With the sign in “ON” mode press the “RIGHT +” or “LEFT -” on the direction pad. The number displayed corresponds to how many hours the sign will be on for, starting from the moment the schedule is set. This setting will repeat every 24hrs. For example, if you set a 12hr operation at 7AM, the sign will run every day from 7:00 AM until 7:00 PM.
2. If a later start time is desired the sign has a selectable offset. With the sign in “OFF” mode press the “right +” or “left -” on the direction pad. The number displayed corresponds to how many hours until the start of the schedule. For example: if you set a 3 hour start offset while at the sign at 7:00 AM and the sign is set to a 12 hour schedule the sign will turn on at 10:00 AM and run until 10:00 PM every day. Do not turn the sign on after setting the schedule, it will turn on automatically at the desired start time.
3. Should you wish to clear the programmed timed operation turn the sign off and then on again. Note that cycling power on the sign will remove the timed operation; if the sign loses power the timed operation function will be cleared.

5.2.8 Display Test and Demo

The sign has two tools to confirm proper operation.

1. To test display functionality press the “TEST” button on the remote. The sign will run through all 10 digits (0-9) on the right side of the display, then all 10 digits on the left side. Visually observe the sign for full functionality.

2. To test your current speed configuration press the “DEMO” button on the remote. The sign will now sequence through a set of numbers that reflect your set speed ranges. Visually observe the behavior of the sign to ensure it acts as expected.



Figure 5-8 Included 12SE Remote

6 Troubleshooting

This section provides troubleshooting information intended for use by technicians who are familiar with this type of variable message sign. The right knowledge combined with a systematic approach to the problem will result in an efficient and timely repair. Once the problem is identified, analyze why the failure occurred. If a maintenance issue led to the failure, include it in the next preventive maintenance trip to all of the signs. If a fuse blew, find out why instead of just replacing fuse after fuse. One small problem may be an indication of a larger problem about to happen. Fix problems before they happen whenever you can.

To use this guide, start at the beginning of the troubleshooting table (see Section 7.1). Each observation listed in the table describes a basic problem that a user might encounter and suggests a course of action. In some cases, the course of action is to look at another section of the table. The situations start out general and get more detailed as progress is made. Once a description of the problem is found that most closely matches what you observe, follow it to its logical conclusion in the “Cause/Action” table.

The first step in troubleshooting is to clearly define the problem. Here are just a few examples:

Is the problem intermittent or continuous?

Is the problem present only in the operation mode or, does it also occur in the test mode?

If needed, technical assistance is available by contacting your local partner or TrafficCalm Technical Service department at 1-855-738-2722. Technical service hours: 7:00 A.M. – 5:00 P.M. Pacific Standard Time, Monday through Thursday and 7:00AM to 12:00PM PST on Friday.

6.1 General Troubleshooting

Observation	Possible Causes	Solutions/Action	Reference
Sign is non-functional – Can't connect with Remote	No power to Sign	Check power (Look behind front face through masked left digit segment openings to see if any red lights are on) - Restore Power to Sign	See Section 5.1.5
	Sign has Shut down and is sleeping due to very low voltage	Check voltage to sign – Diagnostic Red LED's may be lit or may flash periodically. Volts applied to sign less than 10.5V - Restore proper voltage to the sign.	See Section 5.1.5
	Sign is configured OFF	Cycle power to the display and check for remote connectivity If sign never responds to remote the sign must be replaced.	See Section 5.2
	Remote batteries are dead (See also "Cannot communicate to sign")	Test remote function using known good AAA batteries	See Section 5.2
	"AUX 1" button or "AUX 2" button has been pressed on remote	Press "Sign"	See Section 5.2
Status LEDs light unexpectedly and remote has difficulty making changes	IR interference	Set a PIN in the MENU settings to lock out interference source.	See Section 5.2.6
Sign is non-functional – Connection with remote is possible	Sign scheduled OFF	Using the remote, power the sign off and then on again to clear unintended schedule.	See Section 5.2.7
	Display disabled	Verify that sign is supposed to be enabled. Enable the display using the remote	See Section 5.2
	Sign has shut down due to temperature or low voltage (Not Sleeping)	Use multi-meter to check solar panel for output and battery voltage. Operating temperature: -50°C < Sign < +80°C Operating Voltage from battery: 17.0V < Sign < 30V Sign will resume operation when conditions return to normal levels.	See Section 3.1
	Failed Electronic Control System	Verify Sign has proper voltage and current available. Verify sign is properly configured (and scheduled*). Replace sign if needed. *Schedules are not necessary to make the sign run, but they can prevent it from running.	See Section 5
	Sign is in Log-In mode	If LEDs 1 and 4 are illuminated and no PIN has been set, press "OK" on the remote to gain access to the sign. If LEDs 1 and 4 stay illuminated, the sign has been programmed with a custom PIN, see below.	See Section 5.2
	PIN has been enabled	If status LEDs 1 and 4 are illuminated and the sign has been programmed with a security PIN. Press okay and enter the 5 digit PIN. If you do not know the PIN, the sign must be returned to the manufacturer to be reset.	See Section 5.2

Cannot communicate with the sign	No power to sign	Check power connection to sign and verify operation.	See Section 5.1.5
	Remote batteries are dead	Ensure batteries in remote are fresh and functional	See Section 5.2
	Display is out of range.	Move the remote closer and in front of the display.	See Section 5.2
The sign is not detecting cars as expected	Sign is not aimed properly	Re-aim the sign while taking into account a 30 degree radar beam width to cover the approaching lane of travel at the required distance.	See Section 5.1.1
		Re-aim the radar beam width for least spill-over into the opposing lane of travel.	
	The radar signal is being reflected	Ensure that there are no large static signs or other obstructions within 200 feet of the sign face.	See Section 5.1.1 for aiming and Section 5 for pre-installation requirements
	Sign speed settings are interfering	Double check sign configuration matches expected behavior.	See section 5.1.6
	Low Range: Squelch adjustment too high Phantom targets: Squelch adjustment too low	Readjust Squelch to get desired noise rejection and range.	See section 5.1.6
	Other Hardware Malfunction	Contact Technical Service at 855-738-2722	
The sign is displaying speeds of vehicles traveling away from the sign	The radar signal is being reflected in a way that causes the sign to register the speed of vehicles traveling away from the sign	Ensure that there are no large static signs or other obstructions within 200 feet of the sign face. These objects can reflect the radar signal, causing the sign to register the speed of vehicles traveling away from the sign.	See Section 4 for pre-installation requirements
	Long range signal to noise ratio too low.	Weak signal targets at limit of range may not resolve direction properly causing display hold time to show the speed of a misread target. Adjust Squelch higher to reject weaker signals or adjust aim of display to strengthen signal or reduce noise.	
	Display malfunction	Contact technical service at (855) 738-2722.	
The sign is displaying unexpected speeds of oncoming vehicles near an intersection	The radar signal is measuring cross traffic	Cross traffic can register as oncoming vehicles to the radar. Ensure that the sign is located at least 400 feet from an intersection Adjust “Squelch” to suppress noise from cross traffic and reflections.	See Section 4 for pre-installation requirements

Display has no power	<p>Solar Power: Low battery</p>	<p>Too much load for available power: reschedule the display operating times, display brightness, etc. to conform to available sunlight.</p> <p>Solar Charger Failure: Test for proper operation and replace if needed (see device operator manual from manufacturer)</p> <p>Solar Panel Failure : Clean off solar panels, check orientation and angle, check for damage and replace if needed</p> <p>Battery Failure due to age, temperature, or abuse: Replace Batteries after fixing abusive conditions.</p>	
	<p>Solar Power: Solar Charger failure</p>	<p>Charger is not charging batteries: If panel voltage is 20V and battery voltage is less than 12.7V sign needs to be serviced</p> <p>Charger is not providing output to load: If battery is greater than 12.7V and no load output then sign needs to be serviced</p>	
	<p>Battery Charger Kit: Fuse Opened</p>	<p>Check wiring, connectors and display for damage that may cause short circuit, then replace fuse with same type and rating.</p>	See Section 5.1.5
	<p>Bad connection to display</p>	<p>Check connections between display and power source and repair as needed.</p>	See Section 5.1.5



TrafficCalm Systems, a division of MOR Manufacturing, provides the following warranty for its traffic calming solutions whether sold directly by TrafficCalm or by an authorized TrafficCalm distribution partner.

Warranty

- TrafficCalm Systems warrants the product, excluding batteries, will be free of defect in materials and workmanship for a period of three (3) years beginning on the day the end user receives the product. Warranty is only valid if the product is ineffective for its intended purpose due to defects in materials or workmanship.
- Warranty is only valid if the product is installed, operated and maintained in accordance with the manufacturer's instructions and recommendations (available upon request).
- TrafficCalm's sole responsibility, and the purchaser's and users' exclusive remedy, shall be that TrafficCalm will furnish replacements for defective parts.
- Replacement parts will carry the unexpired warranty of the parts they replace.
- Claims made under this warranty will be honored only if TrafficCalm is notified of a failure within the warranty period, reasonable information requested by TrafficCalm is provided, and TrafficCalm is permitted to verify the cause of the failure.
- TrafficCalm assumes no liability for any incidental or consequential damages, in any way related to the product regardless of the legal theory on which the claim is based.

This warranty does not cover damage resulting from:

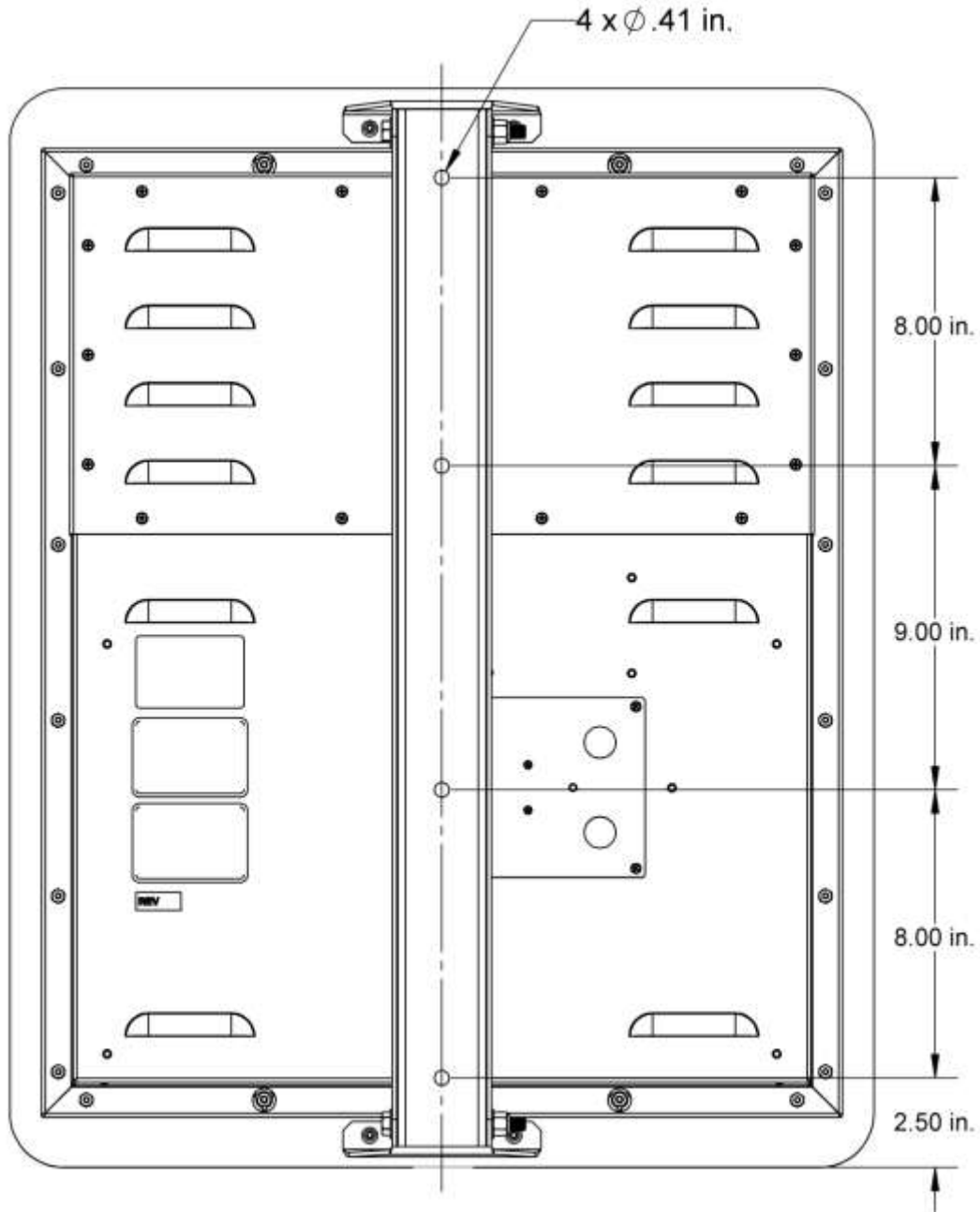
- Accidents, vandalism, impact with a foreign object, or acts of God.
- Product modifications made by someone not authorized by TrafficCalm
- Failure of Customer to follow TrafficCalm's published operating instructions,
- Failure to follow TrafficCalm's published site selection and installation instructions,
- Removal or relocation of the unit,
- Electrical work external to the unit, virus/hacker activity, and external computer errors.

THIS WARRANTY IS MADE IN LIEU OF ALL OTHER WARRANTIES AND CONDITIONS, EXPRESS OR IMPLIED, INCLUDING BUT NOT LIMITED TO THE IMPLIED WARRANTIES AND CONDITIONS OF MERCHANTABILITY.

E. 5676 Seltice Way • Post Falls, Idaho 83854 • 1-855-738-2722 • support@trafficalmsystems.com

Appendix A: 12SE DFB Drawing

Appendix A_12in SE DFB Drawing



BACK OF SIGN
MOUNTING HOLE PATTERN

Appendix C: Status LED Key

Status LED(s) Illuminated	Message
1	1 st digit of PIN has been entered Or 1 st menu setting (MIN Speed) currently selected
2	2 nd digit of PIN has been entered Or 2 nd menu setting (Speed Limit) currently selected
3	3 rd digit of PIN has been entered Or 4 th menu setting (Squelch) currently selected
4	4 th digit of PIN has been entered Or 8 th menu setting (PIN Digit) currently selected
5 rapid blink	Sign is ON in RADAR mode
5 periodic blink	Sign is in Standby mode, power is applied
1,2	3 rd menu setting (MAX Speed) currently selected
1,3	5 th menu setting (MPH/KPH Units) currently selected
1,4	Password input required Or 9 th menu setting (PIN Digit) currently selected
2,3	6 th menu setting (Brightness Offset) currently selected
2,4	10 th menu setting (PIN Digit) currently selected
3,4	12 th menu setting (PIN Digit) currently selected
1,2,3	7 th menu setting (Memory State) currently selected
1,2,4	11 th menu setting (PIN Digit) currently selected
1,2,3,4	No PIN has been set, sign is ready to program