

FLASHING SIGN SYSTEMS RRFB

- **Human Interface**

Installers will easily make all configurations through TC Connect™, a WiFi connection platform developed by TrafficCalm™ that requires NO Internet Connection! With any browser enabled device, the Installer can easily log in and select from multiple options and settings including Flash Duration, LED Brightness and Dimming Control. Also, activation data is easily retrieved right from any Wi-Fi device

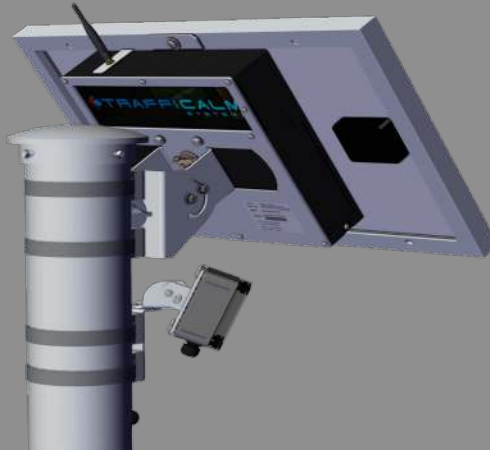
- **Durability and Reliability**

Roadside signage and the like, attract all forms of vandalism. Through our multi-string LED Configuration design and permanently sealed electronics, our RRFB will maintain MUTCD standards for brightness even if 1 or 2 vertical LED strings are damaged through vandalism.

- **Power Sources**

SOLAR: Utilizing a 20 watt panel, or up to a 60 watt upgrade, the collected power from these efficient panels is stored in a standard 12Ah Absorbent Glass Matt (AGM) Battery; a proven cost effective solution.

AC: Integrated AC inverter provides direct connection to 120-220VAC.



- **Warranty**

5-Year Warranty - Excluding Batteries



Wi-Fi
Connection
made Easy
through TC
Connect™

*Compatible with most
Push-Button Systems*

Features

P2C Controller and Collaborators

- Permanently and Environmentally Sealed Electronics
- Compact and lightweight aluminum enclosure
- Weight: under 30 lbs including battery
- Mounted behind solar panels

Solar

- 20W Solar Panel with up to 60 Watt available
- MPPT Solar Collection

Visual

- MUTCD and FHWA Compliant
- 80 Amber LEDs for Redundancy and Uniform Light Distribution
- Side-mounted LEDs for pedestrian side visual confirmation
- Exceeds SAE J595 Class 1 Intensity
- Auto Dimming
- Meets SAE J578 for chromaticity

Battery

- 12 AH Absorbent Glass Mat (AGM)
- Accessible Batteries, easily replaceable in Field
- Lighter weight for ease of handling

Human Interface (HMI) TC Connect

- WiFi Connectivity - No Internet Connection required
- Configurable Flash Duration
- Automatic Unique Channel Selection
- Wirelessly configures all devices on network
- Activation Data Recording
- Auto and configurable dimming

RRFB Physical Construction

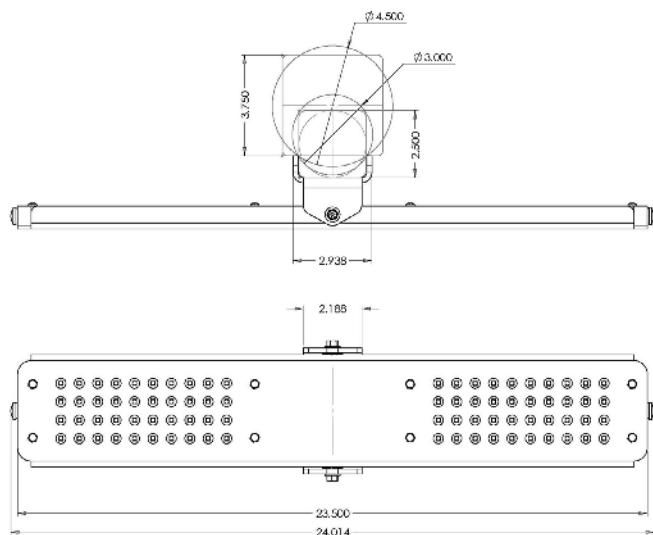
- Each of the 80 LEDs have built-in 15 degree UV resistant lens
- Mounting brackets provide for back-to-back mounting
- Horizontal aiming adjustment
- Dimensions: 24"W x 4.183"H x .85"D (60.96 x 10.63 x 2.16 cm)

Performance

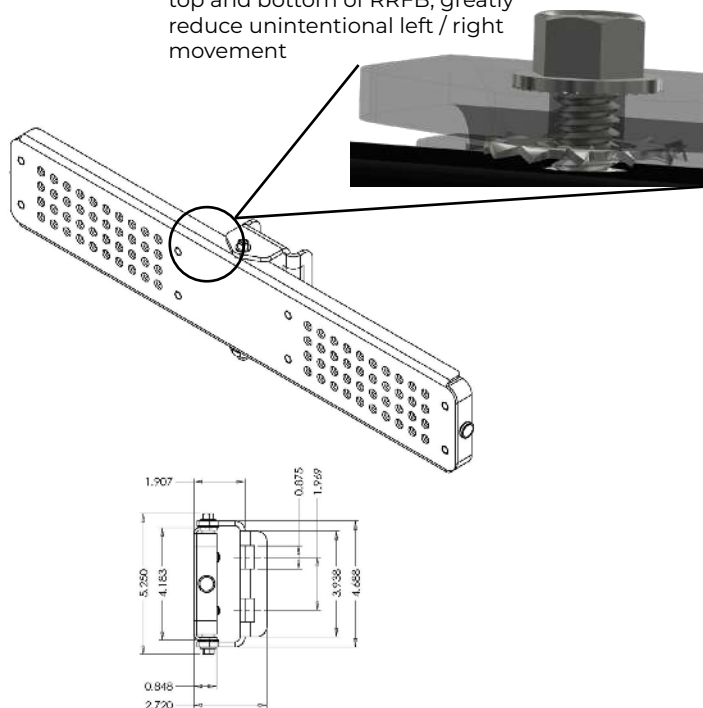
- Rated for 800, 30 second activations per day with 2 hours sunlight for continuous operation
- 12 AH ~5.5 days of 800, 30 second activations without solar panel.
- Wireless activation within 100 mS
- Wireless range of 2000'

RELEASED: 20200512

Dimensions



Anti-Rotational Star Washers at top and bottom of RRFB, greatly reduce unintentional left / right movement



Distributed By