

FLASHING SIGN SYSTEMS

SA300 Controllers and Collaborators (All Models)

Introduction

The base of the Flashing Sign System, the SA300 Basics, Controllers, and Collaborators are the “brains” of the group. Handling everything from configuration to logic control, these devices allow the system to operate as conflict intersection warning, sequencing curves, high water warning, and so much more.

Featuring inputs (and supporting logic) for one activation device and a radar detector, as well as outputs for two alternating Rings, RRFB's, or Beacons (for example), the Flashing Sign Systems' possibilities are limitless.

All TrafficCalm™ products are built in the USA. We **are** the complete engineering and manufacturing chain, meaning that everything going into our products is TrafficCalm™!

● Configuration and Setup

Quick configuration via TC Connect™, a WiFi connection platform developed by TrafficCalm™ that requires NO Internet Connection!

With any browser enabled device, the Installer can easily log in and select from multiple options and settings including Flash Duration, LED Brightness and Dimming Control

● Durability and Reliability

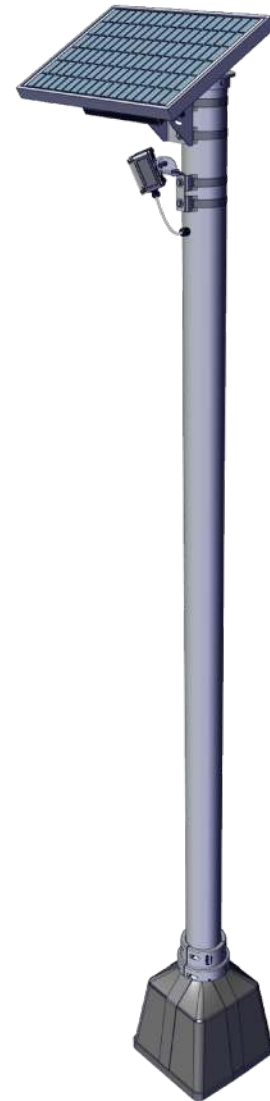
Roadside signage, and the like, attract all forms of vandalism. Housed in a potted aluminum enclosure the SA300 System is ready for years of tamper-free service

● Built For Efficiency

Operating on either an AC supply, or 20W, 30W, 50W, or 60W solar supplies, the SA300 System provides ample power to any TrafficCalm™ warning device. Suitable for an extreme range of climates, TrafficCalm™ products are built for the road ahead

● Warranty

Industry leading 5-Year Warranty, excluding batteries



Solar and Radar equipment shown



855-738-2722 | www.trafficalm.com

Specifications

All Controller and Collaborator Models Feature:

Physical Description

- Mounting: Universal bracket accommodates most industry standard round or square posts of suitable load rating
- Nema 3R enclosure, all electronics potted
- Stainless fasteners used for corrosion resistance

Input/Output

- Inputs: 1 per controller, accept dry contact closure, optional input devices include Push Button, Environmental sensors, and others.
- Outputs: 2 per controller, 12W max requirement, output devices include Sign Rings, RRFBs, Beacons
- Radar Port: accepts input from TrafficCalm™ Lite Radar
- Alternative Sign Flashing: utilizes Radar Port + and -, radar input cannot be used in this scenario
- Light sensor for configurable auto-dimming feature

TC Connect™ Human Interface

- Wi-Fi Connectivity - No Internet Connection required
- Mode Selection: Pedestrian Crossing, Curve Warning, All Flash, Conflict Intersection,, High Water Detection
- Configurable Flash Duration
- Controller can be converted to Collaborator functionality in the field if system upgrade is desired.

Performance

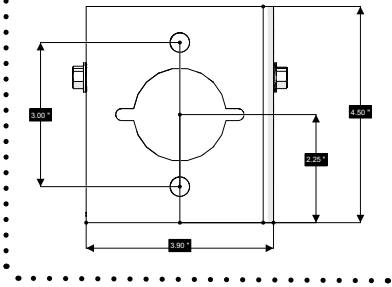
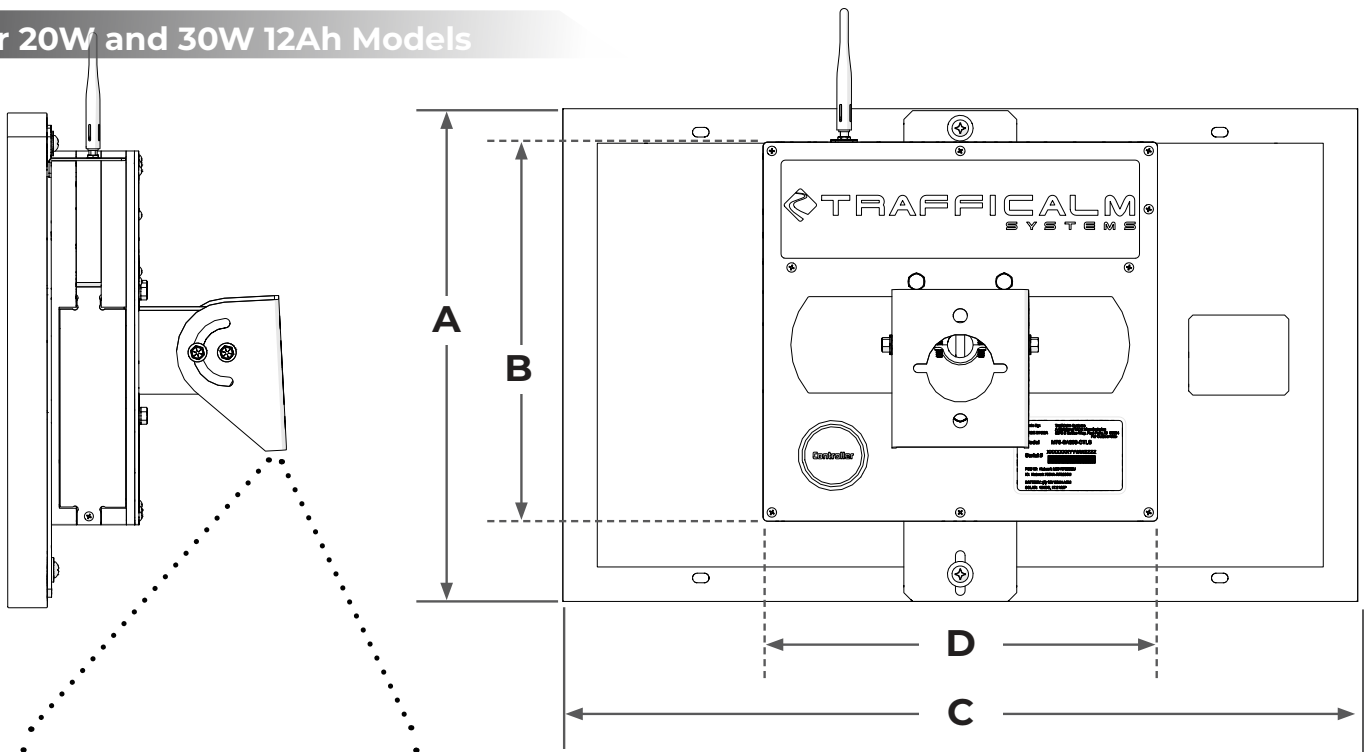
- Wireless activation within 100 mS
- Wireless range of 1000'/305m
- -34° C to +50° C operating range (varies with battery type used)
- 5 year warranty, excluding batteries

Model Details

	M75-SA300-CTLA* M75-SA300-CLBA* M75-SA300-BSCA*	M75-SA300-CTL2* M75-SA300-CLB2* M75-SA300-BSC2*	M75-SA300-CTL3* M75-SA300-CLB3* M75-SA300-BSC3*	M75-SA300-CTLE* M75-SA300-CLBE*	M75-SA30M-CTL2 M75-SA30M-CLB2 M75-SA30M-BSC2	M75-SA30M-CTL3 M75-SA30M-CLB3 M75-SA30M-BSC3
Weight	22.0lbs/10.0kg	25.0 lbs/11.3kg	28.0 lbs/12.7kg	29.0 lbs/13.1kg	36.0 lbs/16.3kg	39.0 lbs/17.7kg
Dims	9.28"W x 10.5"H x 5.21" D (23.6cm,26.7cm,13.2cm)	22.7"W x 14.1"H x 3.9"D (57.7cm,35.8cm,9.9cm)	21.3"W x 20.1"H x 3.9"D (54.1cm, 51.1cm, 9.9cm)	9.28"W x 10.5"H x 5.21" D (23.6cmx26.7cmx13.2cm)	22.7"W x 14.1"H x 6.2"D (57.7cm,35.8cm,15.7cm)	21.3"W x 20.1"H x 6.2"D (54.1cm, 51.1cm, 13.2cm)
AC/Solar	Integrated AC	Integrated Solar	Integrated Solar	Solar Panel Kit sold separately	Integrated Solar	Integrated Solar
Battery	Does not apply	AGM, 12Ah, 12V	AGM, 12Ah, 12V	Extreme Climate AGM, 13Ah, 12V	AGM, 24Ah, 12V	AGM, 24Ah, 12V
Solar Panel	Does not apply	20W/1.16A (incl.)	30W/1.74A (incl.)	30, 50, or 60W kits available	20W/1.74A (incl.)	30W/1.74A (incl.)
AC Input	0.43A/100-277VAC	Does not apply	Does not apply	Does not apply	Does not apply	Does not apply
Continuous Performance	Unlimited flashes/day	800 30sec activations per day with 2 hours sunlight	800 30sec activations per day with 2 hours sunlight	860 30sec activations per day with 2 hours sunlight	1600 30sec activations per day with 2 hours sunlight	1600 30sec activations per day with 2 hours sunlight

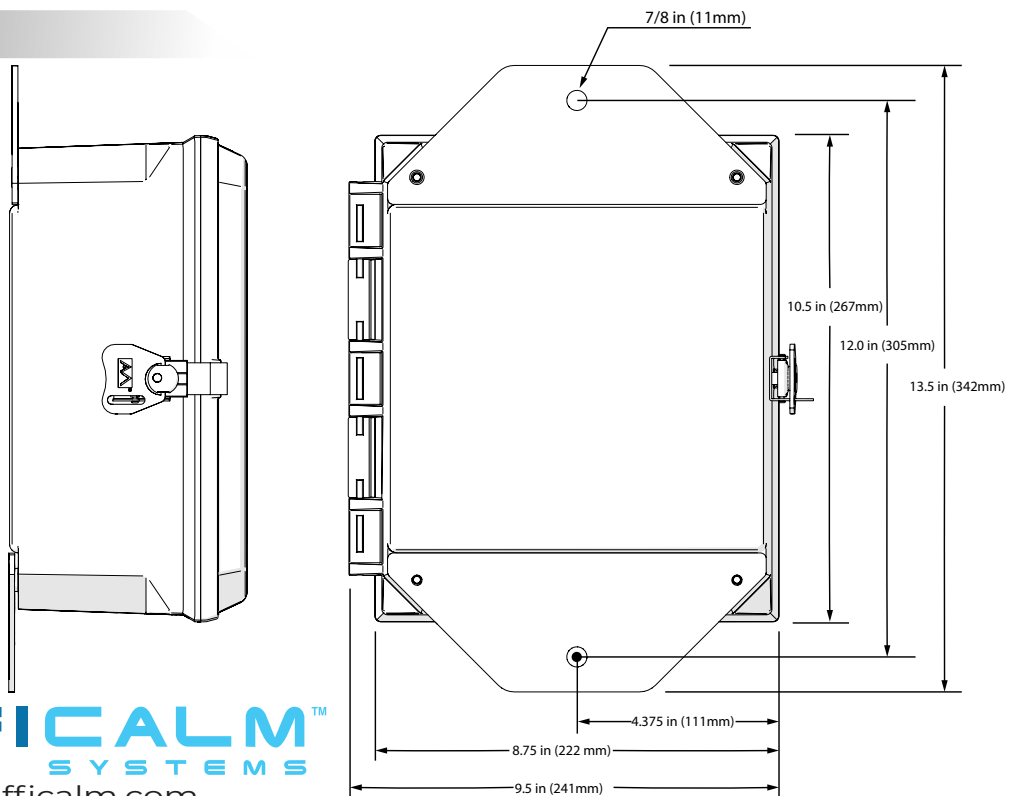
*M75 and legacy F75 part numbers feature equivalent specs

For 20W and 30W 12Ah Models



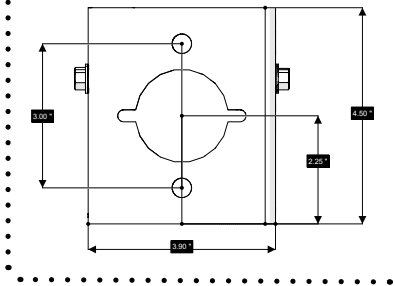
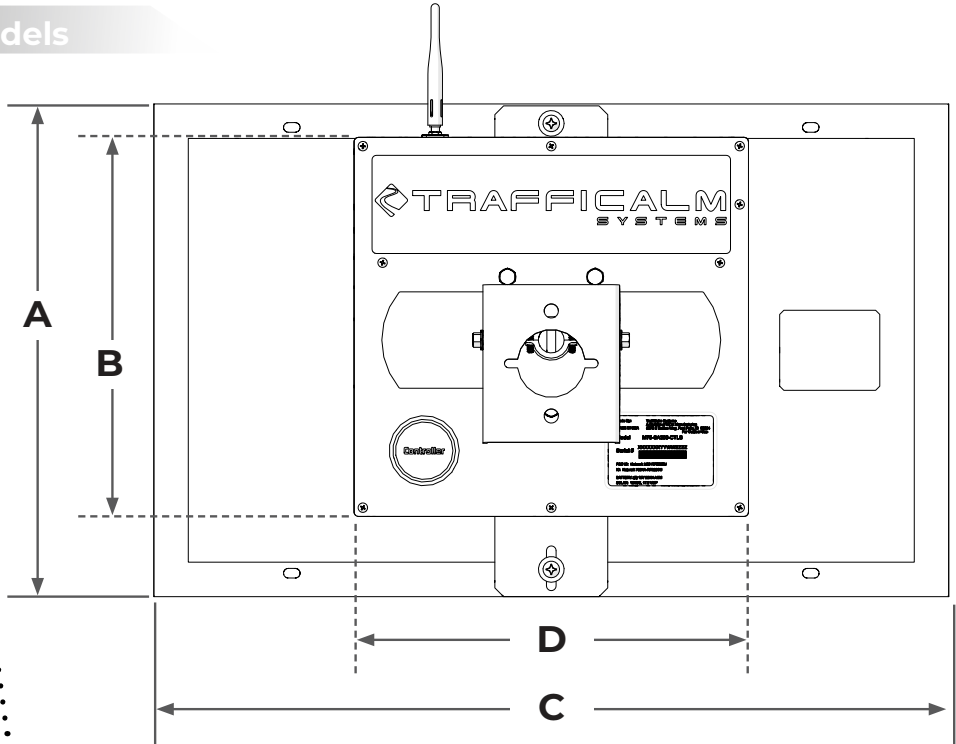
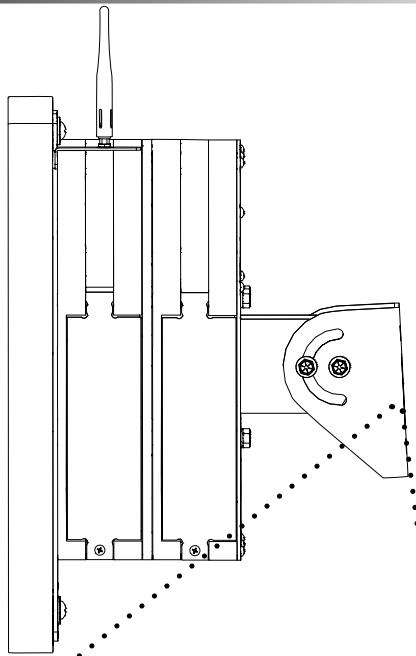
	A	B	C	D
M75-SA300-CTL2 M75-SA300-CLB2 M75-SA300-BSC2	14.1 in 35.8 cm	10.8 in 27.5 cm	22.7 in 57.5 cm	11.2 in 28.5 cm
M75-SA300-CTL3 M75-SA300-CLB3 M75-SA300-BSC3	20.1 in 51.1 cm	10.8 in 27.5 cm	21.3 in 54.1 cm	11.2 in 28.5 cm

For AC and "E" Models



855-738-2722 | www.trafficalm.com

For 20W and 30W 25Ah Models



	A	B	C	D
M75-SA30M-CTL2 M75-SA30M-CLB2 M75-SA30M-BSC2	14.1 in 35.8 cm	10.8in 27.5cm	22.7 in 57.5 cm	11.2in 28.5cm
M75-SA30M-CTL3 M75-SA30M-CLB3 M75-SA30M-BSC3	20.1 in 51.1 cm	10.8in 27.5cm	21.3 in 54.1 cm	11.2in 28.5cm