

TRAFFICM™

FLASHING SIGN SYSTEMS

Model M75-SLRPN-050W **50 Watt Solar Panel Kit**

Introduction

TraffiCalm™ Flashing Sign Systems provide extensive flexibility in all its applications. To maximize versatility, solar power cannot be argued with. Our M75-SLRPN-050W kit maxes out the available input to a SA300 controller or collaborator, providing sufficient charging in historically difficult installation scenarios.

Key features include a high efficiency 50 Watt Multicrystalline panel mounted to a high-wind resistant panel bracket, and connected via an easy to install, outdoor rated cable harness.

● Engineered Efficiency

Perfectly matched with an MPPT charging circuit, the solar panel will make the most of what day light is available.

● Durability and Reliability

Sourced from reputable suppliers, each solar panel is individually tested for charging functionality and field proven over a decade of use. TraffiCalm customers have **never** suffered a failed panel!

Features

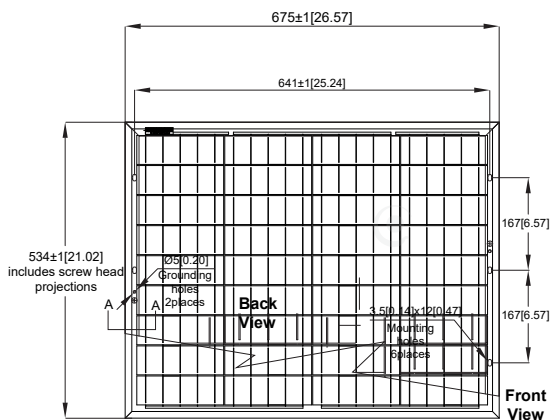
Physical Description

Solar Panel

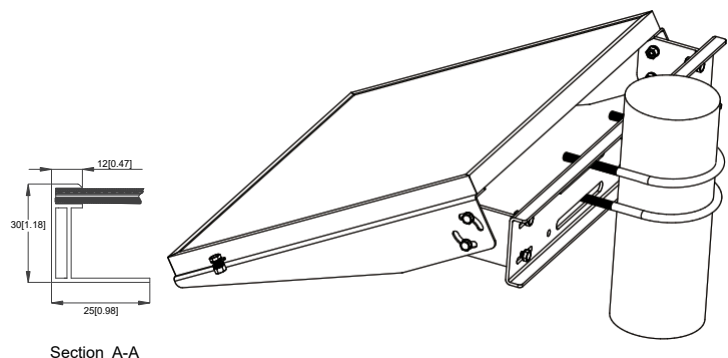
- 26.57" x 21.02" x 1.18" HWD (675mmx534mmx30mm)
- Heavy-duty anodized frame
- High transparent low-iron, tempered glass

Bracket

- 26.57" x 25.75" x 1.38" HWD (675mmx654mmx35mm)
- 60MPH (100KPH) Wind Load Rating
- 1.1kN/M² Snow Load Rating
- Side of Pole (u-bolts req'd) or Wall Mount



SOLAR PANEL DIMENSIONS



MOUNTED BRACKET

IMAGES COURTESY OF SOLARLAND USA

E. 5676 Seltice Way Post Falls, Idaho 83854 • 1-855-738-2722 • sales@trafficalm.com • www.trafficalm.com

©Copyright 2020 TraffiCalm System. All Rights Reserved. Specifications subject to change without notice
released 20200513