

# TRAFFICALM™ FLASHING SIGN SYSTEMS

Model M75-SLRPN-060W 60 Watt Solar Panel Kit

## Introduction

TraffiCalm™ Flashing Sign Systems provide extensive flexibility in all its applications. To maximize versatility, solar power cannot be argued with. Our M75-SLRPN-060W kit maxes out the available input to a SA300 controller or collaborator, providing sufficient charging in historically difficult installation scenarios.

Key features include a high efficiency 60 Watt Multicrystalline panel mounted to a high-wind resistant panel bracket, and connected via an easy to install, outdoor rated cable harness.

### ● Engineered Efficiency

Perfectly matched with an MPPT charging circuit, the solar panel will make the most of what day light is available.

### ● Durability and Reliability

Sourced from reputable suppliers, each solar panel is individually tested for charging functionality and field proven over a decade of use. TraffiCalm™ customers have **never** suffered a failed panel!

## Features

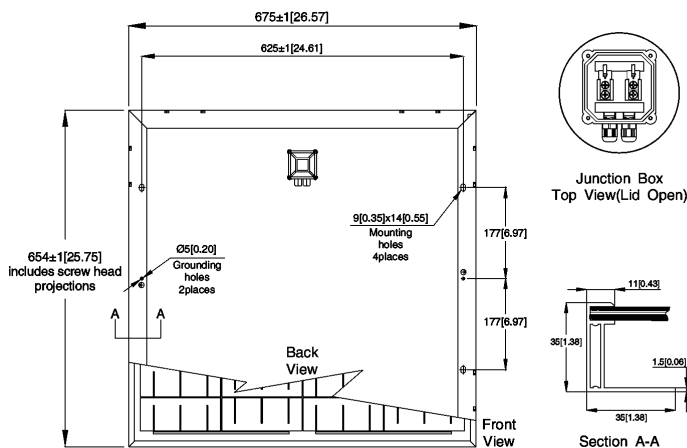
### Physical Description

#### Solar Panel

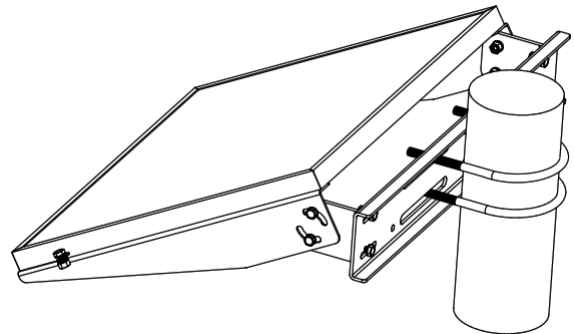
- 26.57" x 25.75" x 1.18" HWD (675mmx654mmx30mm)
- Heavy-duty anodized frame
- High transparent low-iron, tempered glass

#### Bracket

- 26.57" x 25.75" x 1.38" HWD (675mmx654mmx35mm)
- 60MPH (100KPH) Wind Load Rating
- 1.1kN/M<sup>2</sup> Snow Load Rating
- Side of Pole (u-bolts req'd) or Wall Mount



SOLAR PANEL DIMENSIONS



MOUNTED BRACKET

IMAGES COURTESY OF SOLARLAND USA