

TRAFFICALM™ FLASHING SIGN SYSTEMS

Model M75-SLRPN-030W 30 Watt Solar Panel Kit

Introduction

TraffiCalm™ Flashing Sign Systems provide extensive flexibility in all its applications. To maximize versatility, solar power cannot be argued with. Our M75-SLRPN-030W kit maxes out the available input to a SA300 controller or collaborator, providing sufficient charging in historically difficult installation scenarios.

Key features include a high efficiency 30 Watt Multicrystalline panel mounted to a high-wind resistant panel bracket, and connected via an easy to install, outdoor rated cable harness.

● Engineered Efficiency

Perfectly matched with an MPPT charging circuit, the solar panel will make the most of what day light is available.

● Durability and Reliability

Sourced from reputable suppliers, each solar panel is individually tested for charging functionality and field proven over a decade of use. TraffiCalm™ customers have **never** suffered a failed panel!

Features

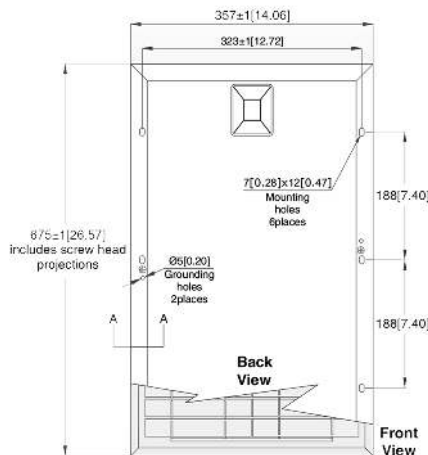
Physical Description

Solar Panel

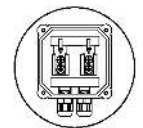
- 26.57" x 14.06" x 1.18" HWD (675mmx357mmx30mm)
- Heavy-duty anodized frame
- High transparent low-iron, tempered glass

Bracket

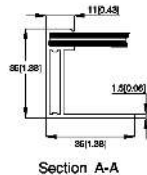
- 26.57" x 14.06" x 1.38" HWD (675mmx357mmx35mm)
- 90MPH (144KPH) Wind Load Rating
- 1.1kN/M² Snow Load Rating
- Side of Pole (u-bolts req'd) or Wall Mount



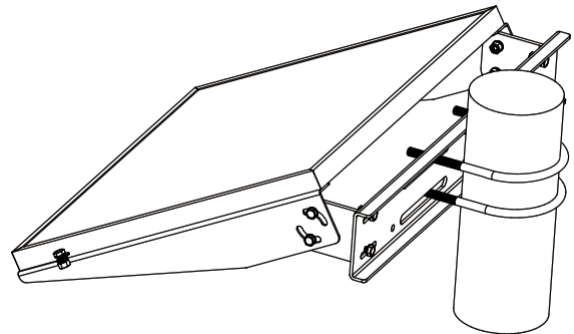
SOLAR PANEL DIMENSIONS



Junction Box Top View (Lid Open)



Section A-A



MOUNTED BRACKET

IMAGES COURTESY OF SOLARLAND USA