

# Specifications

## Physical Description

- Mounting: Universal bracket accommodates most industry standard round or square posts of suitable load rating
- Nema 4x enclosure
- Stainless fasteners used for corrosion resistance

## Input/Output

- Inputs: 1 per controller, accept dry contact closure, optional input devices include loop detectors
- Outputs: 2 per controller, 12W max, output devices include Sign Rings, RRFBs, Beacons
- Radar Port: accepts input from TrafficCalm™ Radar Detector
- Light sensor for configurable auto-dimming feature
- 12-21 VDC input from AC or Solar supplies

## TC Connect Human Interface

- WiFi Connectivity on any device - No Internet Connection required
- Mode Selection: Collaborative Detection, Curve Warning, etc.
- Configurable Flash Duration

- Wireless Collaboration Activation and Radar sensitivity settings
- Configurable auto dimming profiles

## Performance

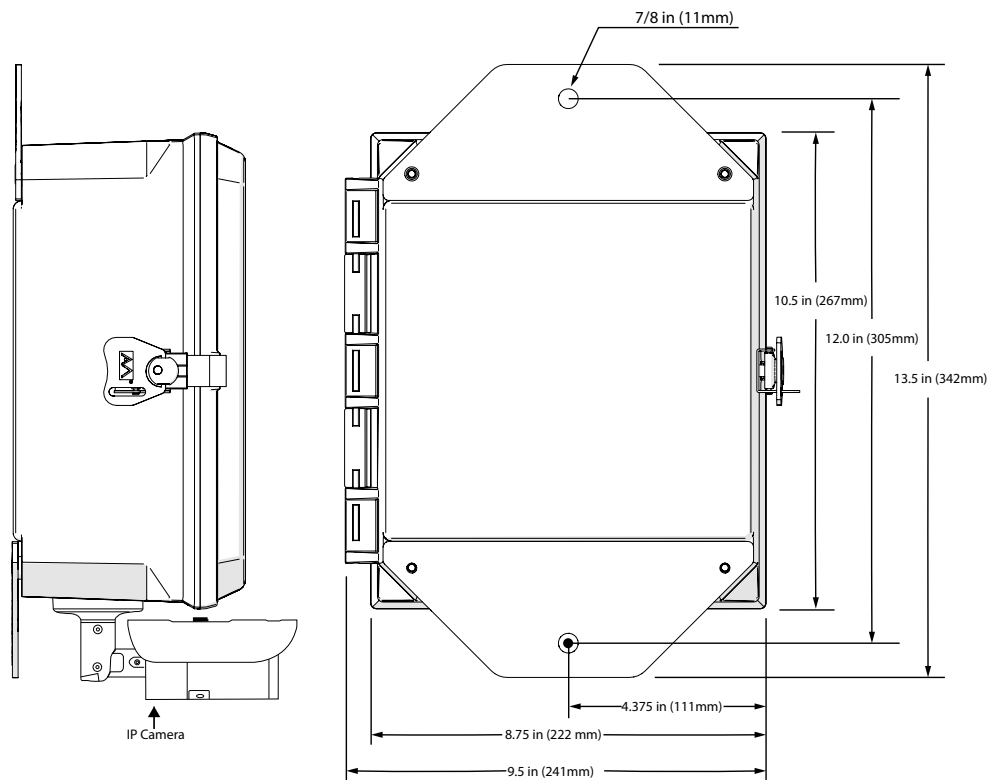
- Wireless activation within 100 mS
- Wireless range of 1000'/305m
- -34° C to +50° C operating range (varies with battery type used)
- 5 year warranty, excluding batteries

## Camera Highlights

- 1/2.8" 2MPH Starlight CMOS Sensor
- 1080p resolution
- H.265 compression
- Motorized 2.8-12mm, F1.6 lens
- Smart IR with 50m effective range
- Defog mode
- 3 axis angle adjustable
- IP67 weatherproof

## Modem Highlights

- 4G LTE with 3G/2G fallback
- 50mbps Upload
- Dual SMA dipole antennas
- 580 MHz Processor, 128MB Ram
- FCC Part 15 Class C and RoHS certifications



released: 20201002

Copyright © TrafficCalm™ Systems, 2020, all rights reserved



# FLASHING SIGN SYSTEMS

## Do Not Enter Sign Enhancement Ring with Red LEDs

**Flashing Sign System** Enhancement Rings are the next evolution in road signage. Designed to enhance existing road signs. Engineered to provide lightning fast installation, exceptional visibility in any condition, and intuitive driver calming beyond that of reflective sheeting.



## Specifications

### Illumination

- LEDs configured around perimeter of sign, within border (fully MUTCD compliant design)
- LED Pitch: 1.9" (4.8cm) (on centers)
- Red LEDs with 30° Viewing Angle
- DG3 white reflective sheeting applied to ring face for natural appearance

### Environmental

- Nema 4x Enclosure
- Potted electronics (hermetically sealed)
- -34° C to + 60° C operating range (-29° F to +140° F)

### Construction

- 14 gauge 5052 aluminum construction
- Individually lensed LEDs recessed behind faceplate
- Ring Depth: 0.4"/10.0mm to minimize impact on natural sign appearance
- No mounting or wiring exposed on reverse of sign

### Compatibility

- Integrates with all Trafficalm Controllers and Collaborators and can be push button, speed (radar), time clock, or sensor activated

## Details

### Physical Description

- Available Sizes: 36", 48"
- Retrofits to any existing Do Not Enter Sign manufactured to MUTCD requirements of corresponding size
- Mounting: all LED hardware mounted within the white border of the sign. Mounted either with adhesive backing or included self tapping screws. Rivets may be utilized to improve tamper resistance
- MUTCD compliant LED placement and usage
- 10ft. (3m) single cable extension to reach Controller or Collaborator

MUTCD Sign Size	Part Number	Ring Width	Ring Height	Ring Width	LED Offset	LED Count	Light Output (cd)	Power (Watts)
36"x36"	M75-R3636-WR06	36"/91cm	36"/61cm	.625"/1.6cm	1.9"/4.8cm	72	486000	5.76
48"x48"	M75-R4848-WR06	48"/106cm	48"/76cm	.625"/1.6cm	1.9"/4.8cm	84	567000	6.72

# FLASHING SIGN SYSTEMS

## Wrong Way Sign Enhancement Ring

**Flashing Sign System Enhancement Rings** are the next evolution in road signage. Designed to enhance existing road signs. Engineered to provide lightning fast installation, exceptional visibility in any condition, and intuitive driver calming beyond that of reflective sheeting.



## Specifications

### Illumination

- LEDs configured around perimeter of sign, within border (fully MUTCD compliant design)
- LED Pitch: 1.9" (4.8cm) (on centers)
- Red LEDs with 30° Viewing Angle
- DG3 white reflective sheeting applied to ring face for natural appearance

### Environmental

- Nema 4x Enclosure
- Potted electronics (hermetically sealed)
- -34° C to + 60° C operating range (-29° F to +140° F)

### Construction

- 14 gauge 5052 aluminum construction
- Individually lensed LEDs recessed behind faceplate
- Ring Depth: 0.4"/10.0mm to minimize impact on natural sign appearance
- No mounting or wiring exposed on reverse of sign

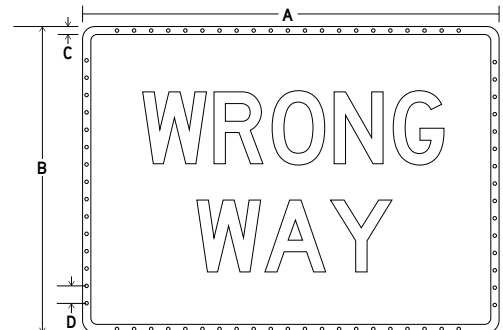
### Compatibility

- Integrates with all Trafficalm SA300 Controllers and Collaborators and can be push button, speed (radar), time clock, or sensor activated

## Details

### Physical Description

- Available Sizes: 36"x24", 42"x30", and 48"x36"
- Retrofits to any existing Wrong Way Sign manufactured to MUTCD requirements of corresponding size
- Mounting: all LED hardware mounted within the white border of the sign. Mounted either with adhesive backing or included self tapping screws. Rivets may be utilized to improve tamper resistance
- MUTCD compliant LED placement and usage
- 10ft. (3m) single cable extension to reach Controller or Collaborator



MUTCD Sign Size	Part Number	Ring Width (A)	Ring Height (B)	Ring Width (C)	LED Offset (D)	LED Count	Light Output (cd)	Power (Watts)
36"x24"	M75-R3624-WR03	36"/91cm	24"/61cm	.625"/1.6cm	1.9"/4.8cm	48	324000	3.84
42"x30"	M75-R4230-WR03	42"/106cm	30"/76cm	.625"/1.6cm	1.9"/4.8cm	60	405000	4.80
48"x36"	M75-R4836-WR03	48"/122cm	36"/91cm	.625"/1.6cm	1.9"/6.1cm	72	486000	5.76

# FLASHING SIGN SYSTEMS

## SA300 Controllers and Collaborators (All Models)

### Introduction

The base of the Flashing Sign System, the SA300 Basics, Controllers, and Collaborators are the “brains” of the group. Handling everything from configuration to logic control, these devices allow the system to operate as conflict intersection warning, sequencing curves, wrong way warning and so much more.

Featuring inputs (and supporting logic) for one activation device and a radar detector, as well as outputs for two alternating Rings, RRFB's, or Beacons (for example), the Flashing Sign Systems' possibilities are limitless.

All TrafficCalm™ products are built in the USA. We **are** the complete engineering and manufacturing chain, meaning that everything going into our products is TrafficCalm™!

### ● Configuration and Setup

Quick configuration via TC Connect™, a WiFi connection platform developed by TrafficCalm™ that requires NO Internet Connection!

With any browser enabled device, the Installer can easily log in and select from multiple options and settings including Flash Duration, LED Brightness and Dimming Control

### ● Durability and Reliability

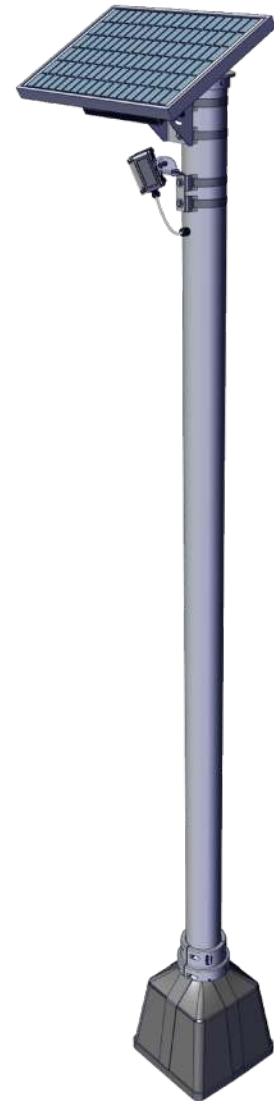
Roadside signage, and the like, attract all forms of vandalism. Housed in a potted aluminum enclosure the SA300 System is ready for years of tamper-free service

### ● Built For Efficiency

Operating on either an AC supply, or 20W, 30W, 50W, or 60W solar supplies, the SA300 System provides ample power to any TrafficCalm™ warning device. Suitable for an extreme range of climates, TrafficCalm™ products are built for the road ahead

### ● Warranty

Industry leading 5-Year Warranty, excluding batteries



Solar and Radar equipment shown

Powered by TC Connect



# Specifications

All Controller and Collaborator Models Feature:

## Physical Description

- Mounting: Universal bracket accommodates most industry standard round or square posts of suitable load rating
- Nema 3R enclosure, all electronics potted
- Stainless fasteners used for corrosion resistance

## Input/Output

- Inputs: 1 per controller, accept dry contact closure, optional input devices include Push Button, Environmental sensors, and others.
- Outputs: 2 per controller, 12W max requirement, output devices include Sign Rings, RRFBs, Beacons
- Radar Port: accepts input from TrafficCalm™ Lite Radar
- Alternative Sign Flashing: utilizes Radar Port + and -, radar input cannot be used in this scenario
- Light sensor for configurable auto-dimming feature

## TC Connect™ Human Interface

- WiFi Connectivity - No Internet Connection required
- Mode Selection: Pedestrian Crossing, Curve Warning, etc.
- Configurable Flash Duration
- Unified Wireless Collaboration Activation and Setting
- Configurable auto dimming profiles

## TC Connect™ Human Interface

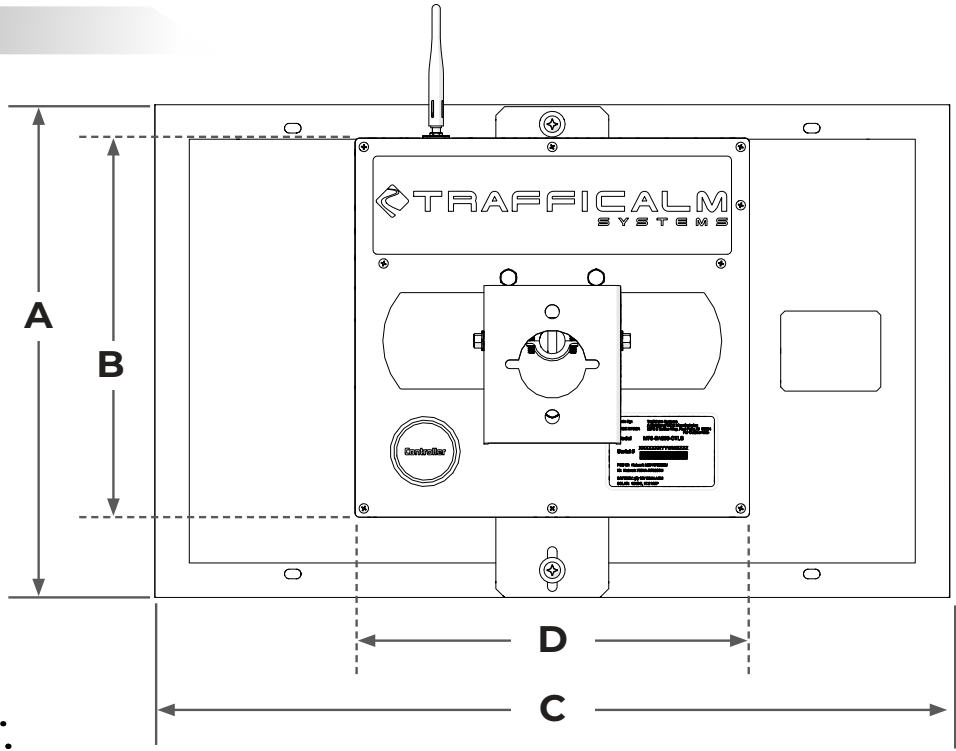
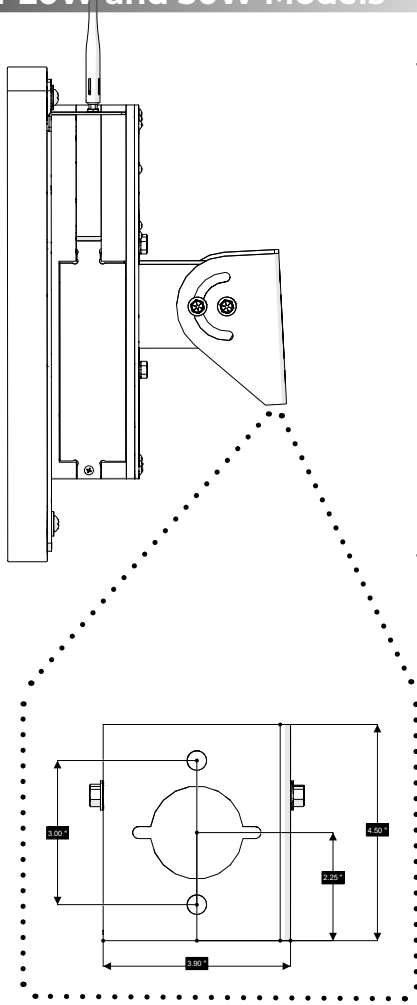
- Wi-Fi Connectivity - No Internet Connection required
- Mode Selection: Pedestrian Crossing, Curve Warning, etc.
- Configurable Flash Duration
- Unified Wireless Collaboration Activation and Setting
- Co Wireless activation within 100 mS
- Wireless range of 1000'/305m
- -34° C to +50° C operating range (varies with battery type used)
- 5 year warranty, excluding batteries

# Model Details

	M75-SA300-CTLA* M75-SA300-CLBA* M75-SA300-BSCA*	M75-SA300-CTL2* M75-SA300-CLB2* M75-SA300-BSC2*	M75-SA300-CTL3* M75-SA300-CLB3* M75-SA300-BSC3*	M75-SA300-CTLE* M75-SA300-CLBE* M75-SA300-BSC2*	M75-SA30M-CTL2 M75-SA30M-CLB2 M75-SA30M-BSC2	M75-SA30M-CTL3 M75-SA30M-CLB3 M75-SA30M-BSC3
<b>Weight</b>	22.0lbs/10.0kg	25.0 lbs/11.3kg	28.0 lbs/12.7kg	29.0 lbs/13.1kg	36.0 lbs/16.3kg	17.7 lbs
<b>Dims</b>	9.28"W x 10.5"H x 5.21" D (23.6cm,26.7cm,13.2cm)	22.7"W x 14.1"H x 3.9"D (57.7cm,35.8cm,9.9cm)	21.3"W x 20.1"H x 3.9"D (54.1cm, 51.1cm, 9.9cm)	9.28"W x 10.5"H x 5.21" D (23.6cmx26.7cmx13.2cm)	22.7"W x 14.1"H x 6.2"D (57.7cm,35.8cm,15.7cm)	21.3"W x 20.1"H x 6.2"D (54.1cm, 51.1cm, 13.2cm)
<b>AC/Solar</b>	Integrated AC	Integrated Solar	Integrated Solar	Solar Panel Kit sold separately	Integrated Solar	Integrated Solar
<b>Battery</b>	Does not apply	AGM, 12Ah, 12V	AGM, 12Ah, 12V	Extreme Climate AGM, 13Ah, 12V	AGM, 25Ah, 12V	AGM, 25Ah, 12V
<b>Solar Panel</b>	Does not apply	20W/1.16A (incl.)	30W/1.74A (incl.)	30, 50, or 60W kits available	20W/1.74A (incl.)	30W/1.74A (incl.)
<b>AC Input</b>	0.43A/115VAC	Does not apply	Does not apply	Does not apply	Does not apply	Does not apply
<b>Continuous Performance</b>	Unlimited flashes/day	800 30sec activations per day with 2 hours sunlight	800 30sec activations per day with 2 hours sunlight	860 30sec activations per day with 2 hours sunlight	1600 30sec activations per day with 2 hours sunlight	1600 30sec activations per day with 2 hours sunlight

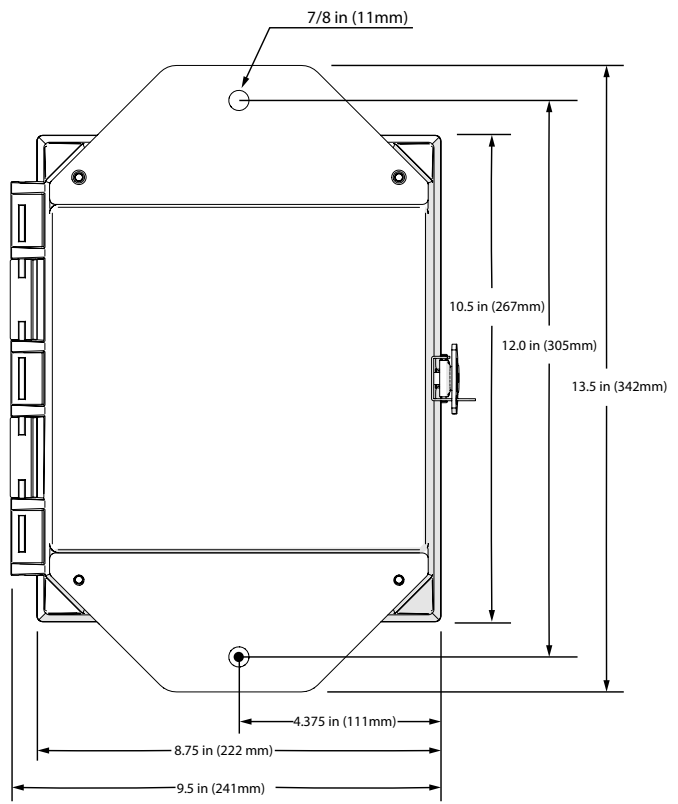
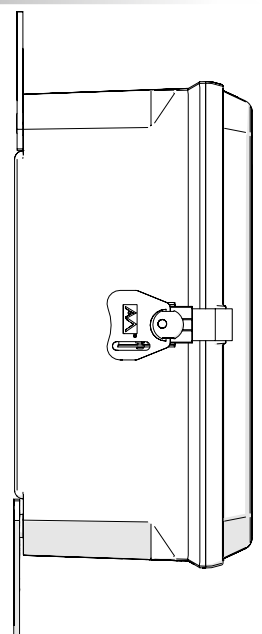
\*M75 and legacy F75 part numbers feature equivalent specs

**For 20W and 30W Models**



	A	B	C	D
M75-SA300-CTL2 M75-SA300-CLB2 M75-SA300-BSC2	14.1 in 35.8 cm	10.8in 27.5cm	22.7 in 57.5 cm	11.2in 28.5cm
M75-SA300-CTL3 M75-SA300-CLB3 M75-SA300-BSC3	20.1 in 51.1 cm	10.8in 27.5cm	21.3 in 54.1 cm	11.2in 28.5cm

**For AC and "E" Models**



released: 20200730

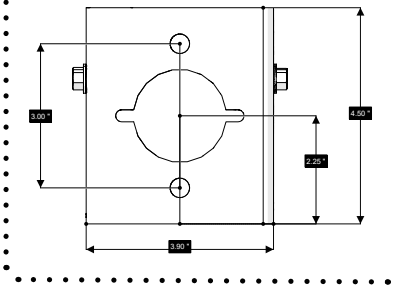
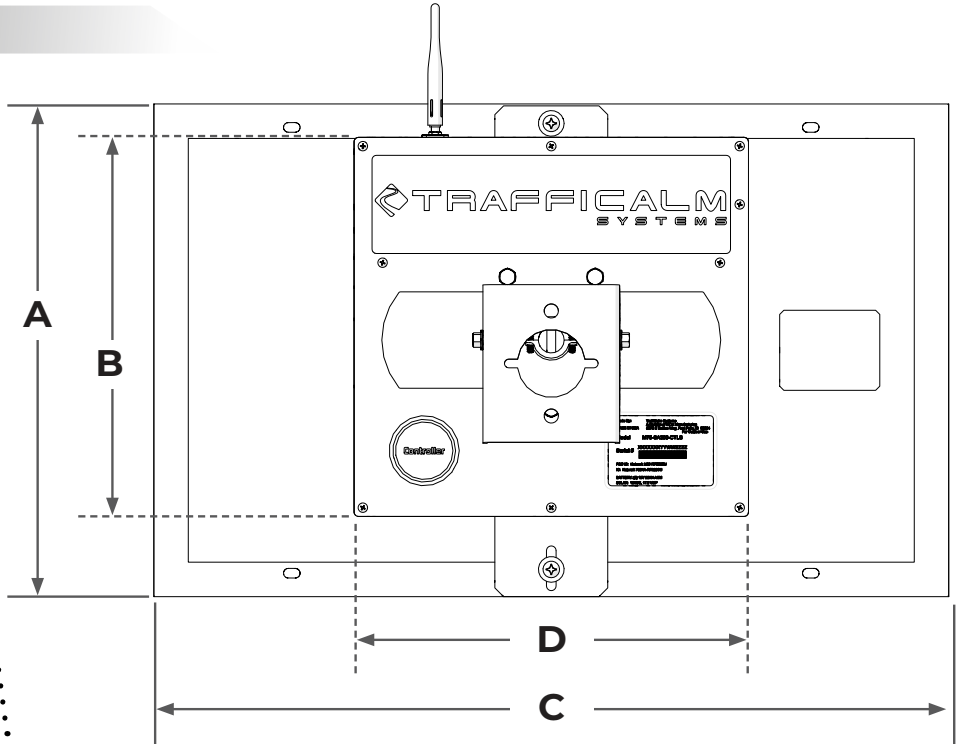
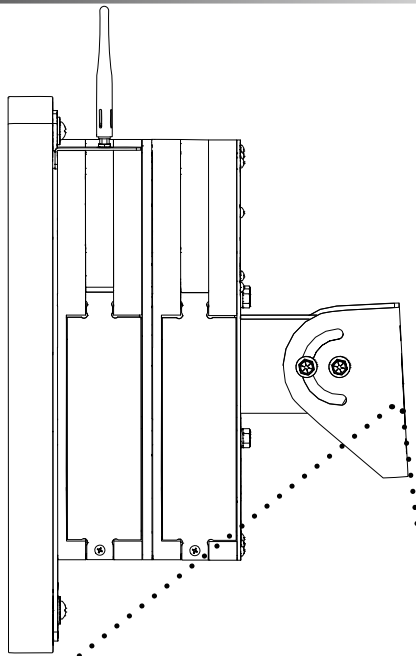
Copyright © TraffiCalm™ Systems, 2020, all rights reserved



855-738-2722 | www.trafficalm.com



**For 20W and 30W Models**



	A	B	C	D
M75-SA30M-CTL2 M75-SA30M-CLB2 M75-SA30M-BSC2	14.1 in 35.8 cm	10.8in 27.5cm	22.7 in 57.5 cm	11.2in 28.5cm
M75-SA30M-CTL3 M75-SA30M-CLB3 M75-SA30M-BSC3	20.1 in 51.1 cm	10.8in 27.5cm	21.3 in 54.1 cm	11.2in 28.5cm

released: 20200730

Copyright © TraffiCalm™ Systems, 2020, all rights reserved