

## WRONG WAY WARNING SYSTEMS

### Model M75-SA300-RDRW Wrong Way Radar Detector

#### Features

##### Physical Description

- Size: 3.75" W x 2.5" H x 2.25" D Weight: 2.5 Lbs
- Mounting: Universal bracket accommodates most industry standard round or square posts of suitable load rating

##### Detection

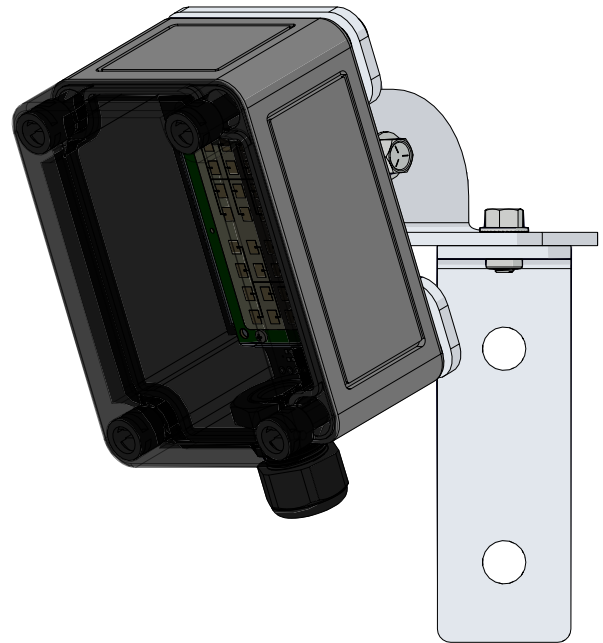
- Speed Resolution Min 5mph, Max 139 (8kph to 223kph)
- K-Band (24.15GHz), direction sensing, license free (FCC Part 15 compliant)
- Range: 500 ft. (152m)

##### Compatibility

- Integrates with all Trafficalm Wrong Way Controllers and Collaborators

##### Environmental

- Nema 4 Enclosure
- Potted electronics (hermetically sealed)
- -34° C to + 60° C operating range (-29° F to +140° F)



Release: 20210506