

TRAFFICALM™ FLASHING SIGN SYSTEMS



Intelligent LED Flashing Beacons

Matched to your exact specifications, TrafficCalm™ offers a complete line of intelligent beacon systems built upon our expertise in LED sign treatments.

Offering sleek installation, wireless D2D collaboration, non-dimming power supplies, and industry-leading solar operation- TrafficCalm™ Intelligent Beacons are the evolution of a proven solution.

Specifications

Compatibility

- Integrates with all SlimLine Controllers and Collaborators and can be push button, speed (radar), time clock, or sensor activated

Electrical

- Wattage: 4.4W (Red), 4.5W (Amber)
- Input Voltage: 10-28VDC
- Multiple Flash Pattern selections
- AC or Solar options

Environmental

- Nema 4x Enclosure
- 34° C to + 60° C operating range (-29° F to +140° F)

Ordering Options

- Beacon Ball Sizes: 12" (300mm)p
- Beacon LED colors: Red or Amber
- Housing/Bracket colors: Gloss Black, Green, Yellow Powder-coating (aluminum) or molding (poly)
- Housing Material: Polycarbonate or Aluminum
- Mounting: 4" Round Post
- Configuration: Single, Dual Horizontal, Dual Vertical

Dimensions

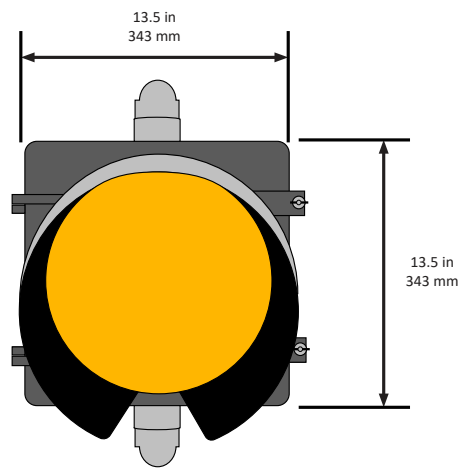
- Housing dimensions for all Intelligent Beacons: 13.5" High x 13.5" Wide x 17" Deep (with visor)
- Bracket Dimensions: 10" standoff from post surface (for all configurations)

Illumination

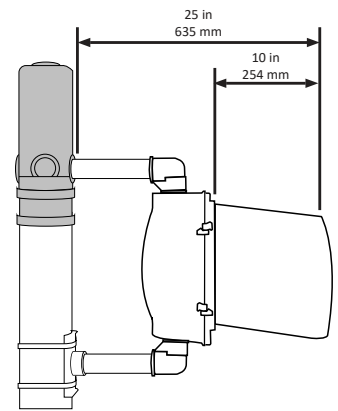
- 12" Red or Amber Beacon Ball options
- ITE VTCSH-LED Circular Signal Supplement compliant (ITE 2005)
- Ambient light compensated
- Selectable Non-dimming option for day and night
- Maintains 70% of initial lumen intensity after 100,000 hours of operation

Housings

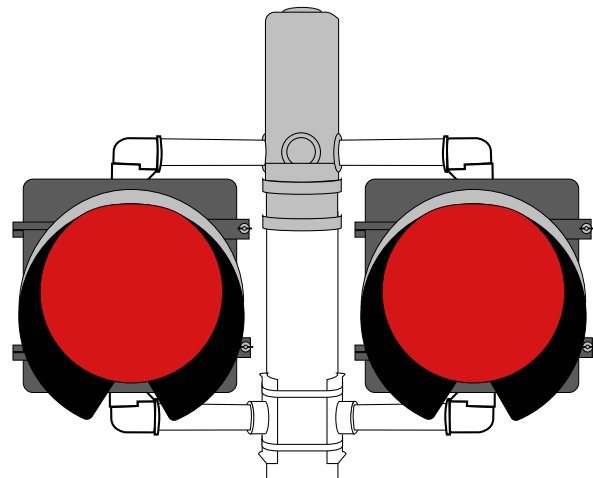
- Die-cast aluminum or Polycarbonate options
- Green, yellow, or gloss black options
- Hinged door of matching material and color
- All brackets and mounting points serrated for positive positioning and locking
- Stainless steel hardware



12" Single Beacon Front View



12" Single Beacon Side View (shown with Controller)



12" Dual Horizontal Front View (shown with Controller)

TRAFFICALM™ FLASHING SIGN SYSTEMS

Solar SlimLine Controller and Collaborator (M75-SA300-CTLZ/CLBZ)



Sleek and road-rugged, the Solar SlimLine Controller or Collaborator offer intelligent, wireless command of LED sign solutions out of the box. Outstanding features include easy installation, outboard flashing validation LED, and compatibility with the largest solar supplies on the market.

Seamlessly installed on a 4.5" pole, the SlimLine houses the tech needed to easily implement a flashing sign system on any road, especially where signs benefit from wireless collaboration. A giant 43Ah battery produces reliable operation in nasty environments. 60 or 100 watt solar panel kits provide ample power even in dim conditions. The TrafficCalm™ SlimLine is designed to operate where nothing else will.

Specifications

Physical Description

- Mounting: Top of pole for 4.5" pole, include solar panel and beacon bracket bosses
- Nema 4x aluminum enclosures, all electronics hermetically potted for weatherproofness
- -34°C to +50°C operating range
- Advanced tech battery provides extreme environment performance (50% capacity at -20°C)
- 5 year warranty, excluding batteries

Input/Output

- Inputs: 1 per controller, accept dry contact closure from high water sensor, ice sensor, push button, etc.
- Outputs: 2 per controller, 12W max out, multiple flash patterns, including RRFB and 1hz MUTCD compliant flash
- Radar Port: accepts input from TrafficCalm™ Radar Node for presence conditional operation
- Integrated 60W solar charging circuit, 100W system optional
- Integrated outboard flash confirmation LED

Radio Collaboration

- Secure D2D mesh-net network
- 100ms wireless activation response time
- 1000'/305m of range, repeatable signal
- 2.4 GHz operating frequency
- Unique Network ID clearly marked to speed installation
- Remote warning capability activates flashing from remotely mounted sensors, radars, and activation devices

TC Connect™ Human Interface

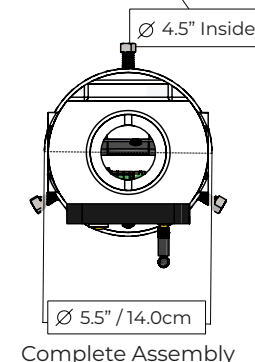
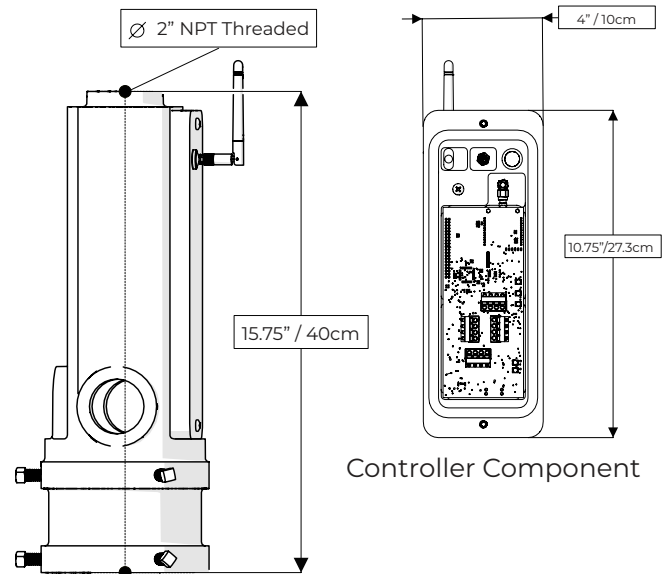
- WiFi Connectivity - No Internet Connection required
- Mode Selection: Pedestrian Crossing, Curve Warning, etc.
- Configurable Flash Duration
- Unified Wireless Collaboration Activation and Setting
- Configurable auto dimming and brightness profiles
- Selectable flash duration: 1 second to 60 minutes
- Integrated calendar time clock functionality
- Built-in activation count

Battery

- 43Ah extreme environment battery ensures operation where other solar supplies fail
- Revolutionary 50% capacity maintained at -20°C
- Operational from -40°C to +71°C
- Eco friendly, acid free electrolyte can be upcycled as fertilizer at end of use

Warranty

- Limited 5 year warranty on all components, excluding batteries



TRAFFICALM™ FLASHING SIGN SYSTEMS

Model M75-SPTOP-060W
60 Watt Post Top Solar Panel Kit

Introduction

TraffiCalm™ Flashing Sign Systems provide extensive flexibility in all its applications. To maximize versatility, solar power cannot be argued with. Our M75-SPTOP-060W kit maxes out the available input to a SlimLine Controller (M75-SA300-CTLZ) or Collaborator (M75-SA300-CLBZ), providing efficient charging in historically difficult installation scenarios.

Key features include a high efficiency 60 Watt Multi-crystalline panel mounted to a high-wind resistant post top bracket, and connections via an easy to install, outdoor rated cable harness.

Specifications

Solar Panel

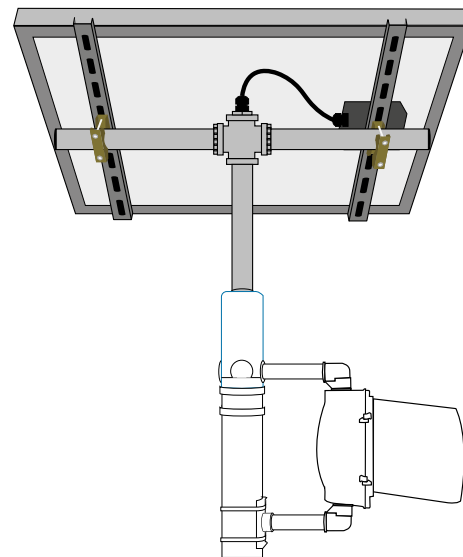
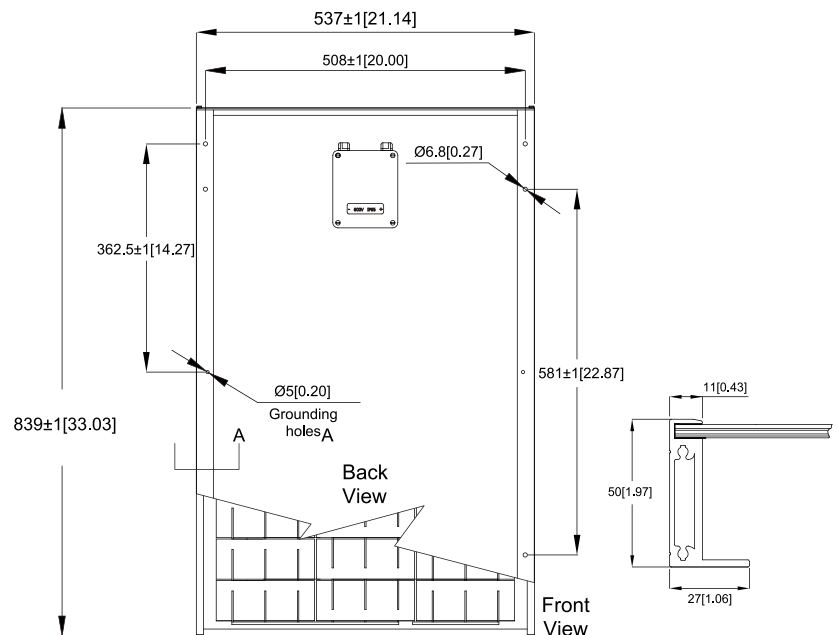
- 25.98" x 21.26" x 4.33" HWD (660mmx540mmx110mm)
- Heavy-duty anodized frame
- High transparent low-iron, tempered glass
- Maximum Power (Pmax): 60W
- Voltage at Pmax: 17.8V
- Current at Pmax: 3.37A
- Open-Circuit Voltage: 22.0V
- Short-Circuit Current: 3.64A
- Operating Temperature: -40°C to 85°C
- Maximum System Voltage: 600VDC
- Power Tolerance: ±5%

Bracket

- 26.57" x 25.75" x 1.38" HWD (675mmx654mmx35mm)
- 60MPH (100KPH) Wind Load Rating
- 1.1kN/M² Snow Load Rating
- Top of Pole (M75-SA300-CTLZ/CLBZ required)
- Spun aluminum and powder-coated cast steel structure, stainless and zinc plated hardware

Wiring Harness

- Includes Solar Panel to Controller harness
- Water tight grommets provided for all access points
- Outdoor rated, UV stable 14 AWG shielded wire



TRAFFICALM™ FLASHING SIGN SYSTEMS

Model M75-SPTOP-100W
100 Watt Post Top Solar Panel Kit

Presenting the ONLY top of pole solar kit exceeding 90 watts in the industry, the TrafficCalm™ M75-SPTOP-100W provides a surplus of power to any SlimLine Controller (M75-SA300-CTLZ) or Collaborator (M75-SA300-CLBZ), supplying efficient charging in historically difficult installation scenarios.

Key features include a high efficiency 100 Watt Multicrystalline panel mounted to a high-wind resistant post top bracket, a stand alone solar charge controller, and connections via an easy to install, outdoor rated cable harness.

Specifications

Solar Panel

- 51.18" x 20.79" x 1.97" HWD (1300mmx528mmx50mm)
- Heavy-duty anodized frame
- High transparent low-iron, tempered glass
- Maximum Power (Pmax): 100W
- Voltage at Pmax: 18.5V
- Current at Pmax: 5.4A
- Open-Circuit Voltage: 22.4V
- Short-Circuit Current: 5.94A
- Operating Temperature: -40°C to 85°C
- Maximum System Voltage: 1000VDC
- Power Tolerance: ±5%

Bracket

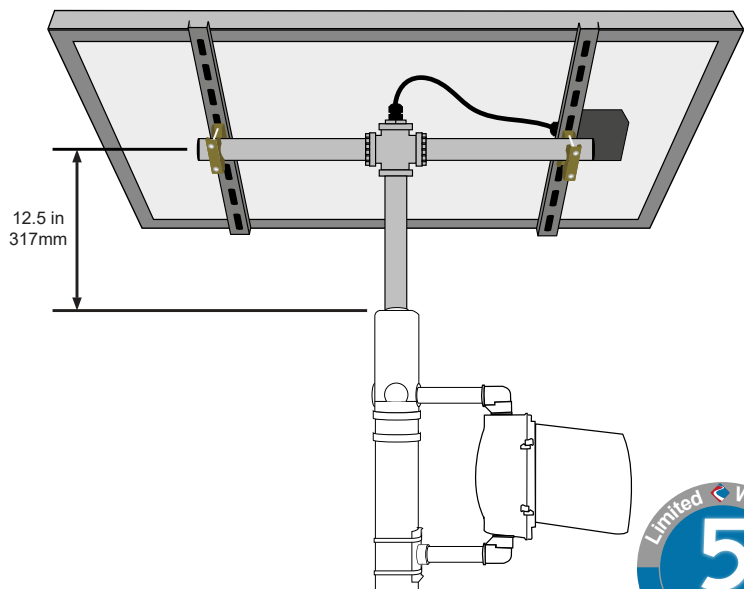
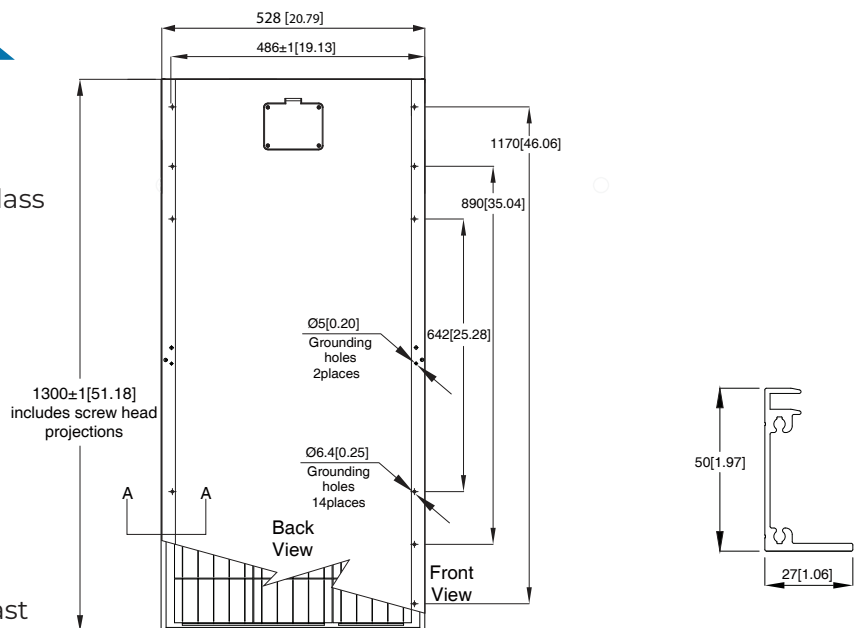
- 60MPH (100KPH) Wind Load Rating
- 1.1kN/M² Snow Load Rating
- Top of Pole (M75-SA300-CTLZ/CLBZ required)
- Spun aluminum and powder-coated cast steel structure, stainless and zinc plated hardware

Wiring Harness

- Includes Outdoor rated, UV stable 14 AWG shielded wire Solar Panel to Controller harness
- Water tight grommets provided for all access points
- Connectorized leads for all other connections installed for easy access when installed in SlimLine Controller/Collaborator

Waterproof Charge Controller

- Nominal Voltage: 12VDC
- Rated Charge Current: 20A
- Operating Temp: -40°C to 85°C
- Enclosure Rating: IP65
- Max PV Input Voltage: 26V
- Smart PWM efficiency
- Integrated live LCD operation display
- Integrated battery status indicator
- Reverse circuit and voltage protection



Released 20200617

trafficalm.com | 1-855-738-2722 | sales@trafficalm.com

©2020 TrafficCalm™ Systems, INC All Rights Reserved



TRAFFICALM™ FLASHING SIGN SYSTEMS

Model M75-SPTOP-150W 150 Watt Post Top Solar Panel Kit

Presenting the ONLY top of pole solar kit exceeding 149 watts in the industry, the TrafficCalm™ M75-SPTOP-150W provides a surplus of power to any SlimLine Controller (M75-SA300-CTLZ) or Collaborator (M75-SA300-CLBZ), supplying efficient charging in historically difficult installation scenarios.

Key features include a high efficiency 150 Watt Multicrystalline panel mounted to a high-wind resistant post top bracket, a stand alone solar charge controller, and connections via an easy to install, outdoor rated cable harness.

Specifications

Solar Panel

- 59.06" x 26.57" x 1.97" HWD (1500mmx639mmx50mm)
- Heavy-duty anodized frame
- High transparent low-iron, tempered glass
- Maximum Power (Pmax): 150W
- Voltage at Pmax: 18.5V
- Current at Pmax: 8.11A
- Open-Circuit Voltage: 22.2V
- Short-Circuit Current: 8.68A
- Operating Temperature: -40°C to 85°C
- Maximum System Voltage: 600VDC
- Power Tolerance: ±5%

Bracket

- 60MPH (100KPH) Wind Load Rating
- 1.1kN/M² Snow Load Rating
- Top of Pole (M75-SA300-CTLZ/CLBZ required)
- Spun aluminum and powder-coated cast steel structure, stainless and zinc plated hardware

Wiring Harness

- Includes Outdoor rated, UV stable 14 AWG shielded wire Solar Panel to Controller harness
- Water tight grommets provided for all access points
- Connectorized leads for all other connections installed for easy access when installed in SlimLine Controller/Collaborator

Waterproof Charge Controller

- Nominal Voltage: 12VDC
- Rated Charge Current: 20A
- Operating Temp: -40°C to 85°C
- Enclosure Rating: IP65
- Max PV Input Voltage: 26V
- Smart PWM efficiency
- Integrated live LCD operation display
- Integrated battery status indicator
- Reverse circuit and voltage protection

