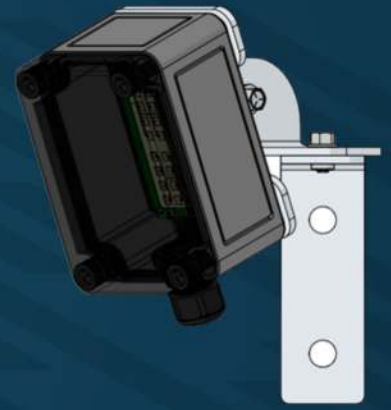


Smart Radar Detector

FLASHING SIGN SYSTEM



TRAFFICALM® SMART RADAR DETECTOR FOR FLASHING SIGNS

TrafficCalm® manufactures its own rugged Smart Radar Detector, as a cost effective option, to add to Flashing Sign Systems to make the LED flashers on the signs “vehicle activated.” The advantages are reduced power consumption and greater impact as the flashers activate when the sign is approached by a vehicle. No need to flash the sign in the middle of the night when no cars are passing.

Multiple Smart Radar Sensors can be added together in TrafficCalm’s Wrong Way Warning + Notification Systems using our patented collaborative detection sensors and zones.

FEATURES

Highly Accurate Radar

Doppler technology is utilized, similar to radar used by the police for enforcement. Excellent speed accuracy allows signs to be triggered at various speed thresholds.

Ruggedized Electronics

All Electronics are fully potted and environmentally sealed. The entire pole with sign, controller, solar panels, batteries and radar sensor can be fully submerged and still operate.

Ease of Installation

The ease of installation allows for quick setup on any existing sign post.

Made in the USA

TrafficCalm® Smart Radar Sensors are manufactured in the USA in an ISO 9001-2015 certified facility, meeting and exceeding industry and state testing requirements. The sensors are Build America/Buy America Act Compliant.

TRAFFICALM.COM



SPECIFICATIONS

DETECTION

Speed Resolution Min 5mph, Max 139 (8 kph to 224 kph)
K-Band (24.15GHz), direction sensing, license free (FCC Part 15 compliant)

Range: 1000 ft (365 m)

Doppler Radar

COMPATIBILITY

Integrates with all Trafficalm[®] Controllers and Collaborators

ENVIRONMENTAL

NEMA 4X Enclosure

Potted electronics (hermetically sealed)

-34° C to + 60° C operating range (-29° F to +140° F)

DETAILS

PHYSICAL DESCRIPTION

Size: 3.75" w x 2.5" h x 2.25" d (9.52 cm x 6.35 cm x 5.715)

Weight: 2.5 lbs (1.13 kg)

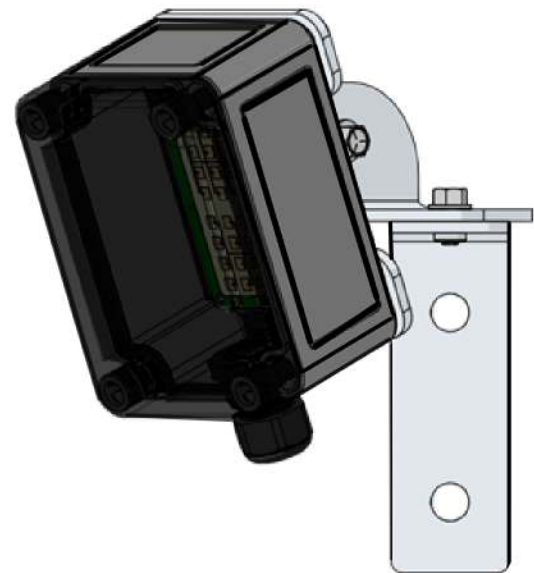
Mounting: Universal bracket accommodates most industry standard round or square posts of suitable load rating

10ft (3 m) single cable extension to reach Controller or Collaborator

WARRANTY and SERVICE

5 year limited warranty

Unlimited tech support from US based factory technicians



M75-SA300-RDR0 Smart Radar Detector