

# 9" Value Portable

## RADAR SPEED SIGNS



### THE VALUE SERIES OF RADAR SPEED SIGNS

The TrafficCalm® Value series of Radar Speed Signs offer an economical yet rugged solution to help reduce vehicle speeds and increase road and pedestrian safety. They are designed for situations where drivers need to be alerted to their current speed, but the additional data collection and speed-triggered warning messages are not needed. The portable versions are battery-powered and designed to be lightweight, so they can easily be removed from a post, recharged, and moved to another location by one person.

The Value Series features bright 9" (22.9 cm) LED characters that can be legible from up to 450 ft (137.2 m) away and help increase driver awareness of their speed on neighborhood streets where so many crashes occur each year.

Speed can kill. A pedestrian is 82 percent more likely to be fatally injured if hit by a vehicle traveling 40 MPH (64 KPH) compared to a vehicle traveling 20 MPH (32 KPH). Speeding drivers are almost three times more likely to be involved in fatal or serious-injury crashes. Radar Speed Signs have been proven by multiple third-party studies\*, to be highly effective at reducing average vehicle speeds and slowing speeding drivers, creating safer roadways and communities.

### FEATURES

#### Fixed Matrix Display

The seven-segment display is able to display up to two digits from 1 to 99 with super-bright LEDs.

#### 100% MUTCD Compliant

Amber LEDs are used to meet the Federal Highway Administration's Manual on Uniform Traffic Control Devices (MUTCD). Multi-color LEDs and strobes that are non-MUTCD compliant are not utilized.

#### Ruggedized Electronics

Built tougher than other systems on the market. Polycarbonate high-impact, non-glare display cover is vandal resistant. The enclosure is a metal and weather-proof sealed NEMA 3R rated enclosure.

#### Made in the USA

TrafficCalm Systems are manufactured in the USA in an ISO 9001:2015 certified facility, meeting and exceeding industry and state testing requirements. TrafficCalm signs are unmatched in durability, brightness, accuracy, and ease of installation and use. Build America/Buy America Compliant.

\*Call for speed studies

TRAFFICALM.COM



## SPECIFICATIONS

### Display

Electronic Light Emitting Diode (LED) display

Speed display features 9" (22.9 cm) high electronic numbers.

Will display MPH or KPH, Minimum 5 MPH (8 KPH) in 1 MPH/1.6 KPH increments, Maximum 99 MPH/159.3 KPH

YOUR SPEED Legend: 3" (7.6 cm) Highway Gothic font

LEDS: Amber (590 nanometers) in color, 100,000-hour life, 30° viewing angle, AlInGaP technology

Brightness: 20,000 candela per square meter, Auto dimming

Legibility distance: 450 ft (137.2 m)

Front face sheeting: 3M™ Diamond Grade™ high visibility prismatic retroreflective sheeting

YOUR SPEED Sign Color: Yellow, Fluorescent Yellow-Green, Fluorescent Orange or White

### Radar Sensor

K-Band (24.15 GHz), license-free (FCC part 15 compliant)

Range: Up to 1000 ft (304.8 m)

### Construction

Outside dimensions 18" w x 24" h x 1 7/8" d  
(45.7 cm x 61 cm x 4.8 cm)

Weight: 29 lbs (13.2 kg)

Aluminum metal enclosure, powder coated green

High impact polycarbonate face

NEMA 3R Rated Cabinet

Includes quick disconnect pole/post bracket

### Communication

Infrared Wireless Remote

### Power

Power requirements: 12VDC, low standby 160 megawatts, average day at 4.4 watts, night at 1.3 watts

Voltage requirements: 9VDC-30VDC, 12VDC Nominal (Battery protection at 11.5VDC and 10.8VDC, startup at 12.3VDC)

Integrated 20 Ah NiMH battery pack

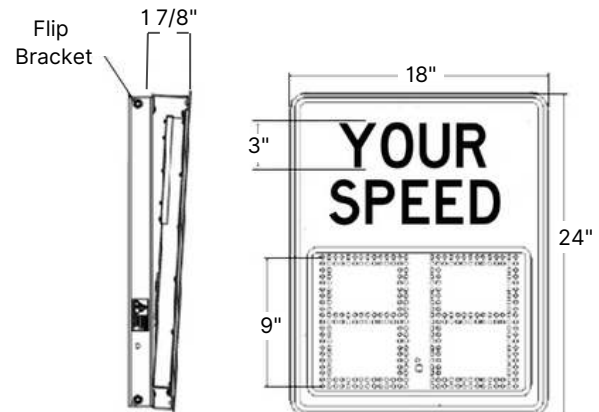
### ENVIRONMENTAL

-40°F to +165°F operating range (-40°C to +74°C)

### WARRANTY

3-year limited warranty, 1-year on batteries

Unlimited tech support from US based factory technicians



9" Value Portable Sign with 20Ah Battery and Key

Part #	Reflective Sheeting Color
M75-009SE-PK01	White*
M75-009SE-PK02	Fluorescent Yellow-Green
M75-009SE-PK03	Fluorescent Orange
M75-009SE-PK04	Yellow

\*Non MUTCD Compliant