

9" Value

RADAR SPEED SIGNS



THE VALUE SERIES OF RADAR SPEED SIGNS

The TrafficCalm® Value series of Radar Speed Signs offer an economical yet rugged solution to help reduce vehicle speeds and increase road and pedestrian safety. They are designed for situations where drivers need to be alerted to their current speed, but the additional data collection and speed-triggered warning messages are not needed.

The Value Series features bright 9" (22.9 cm) LED characters that can be legible from up to 450 ft (137.2 m) away and help increase awareness of their speed on neighborhood streets where so many crashes occur every year.

Speed can kill. A pedestrian is 82 percent more likely to be fatally injured if hit by a vehicle traveling 40 MPH (64 kph) compared to a vehicle traveling 20 MPH (32 kph). Speeding drivers are almost three times more likely to be involved in fatal or serious-injury crashes. Radar Speed Signs have been proven by multiple third-party studies*, to be highly effective at reducing average vehicle speeds and slowing speeding drivers, creating safer roadways and communities.

FEATURES

Fixed Matrix Display

The seven-segment display is able to display up to two digits from 1 to 99 with super-bright LEDs.

100% MUTCD Compliant

Amber LEDs are used to meet the Federal Highway Administration's Manual on Uniform Traffic Control Devices (MUTCD). Multi-color LEDs and strobes that are non-MUTCD compliant are not utilized.

Ruggedized Electronics

Built tougher than other systems on the market. Polycarbonate's high-impact, non-glare display cover is vandal-resistant. The enclosure is a metal, weather-proof, sealed NEMA 3R-rated enclosure.

Made in the USA

TrafficCalm Systems are manufactured in the USA in an ISO 9001:2015 certified facility, meeting and exceeding industry and state testing requirements. TrafficCalm signs are unmatched in durability, brightness, accuracy, and ease of installation and use. Build America/Buy America Compliant.

**Call for speed studies*

TRAFFICALM.COM



SPECIFICATIONS

■ Display

Electronic Light Emitting Diode (LED) display

Speed display features 9" (22.9 cm) high electronic numbers. Will display MPH or KPH, Minimum 5 MPH (8 KPH) in 1 MPH/1.6 KPH increments, Maximum 99 MPH/159.3 KPH

YOUR SPEED Legend: 3" (7.6 cm) Highway Gothic font

LEDs: Amber (590 nanometers) in color, 100,000-hour life, 30° viewing angle, AllnGaP technology

Brightness: 20,000 candela per square meter, Auto dimming

Legibility distance: 450 ft (137.2 m)

Front face sheeting: 3M™ Diamond Grade™ high visibility prismatic retroreflective sheeting

YOUR SPEED Sign Color: Yellow, Fluorescent Yellow-Green, Fluorescent Orange or White

■ Radar Sensor

K-Band (24.15 GHz), license-free (FCC part 15 compliant)

Range: Up to 1000 ft (304.8 m)

■ Construction

Outside dimensions 18" w x 24" h x 1 7/8" d (45.7 cm x 61 cm x 4.8 cm)

Weight: 20 lbs (9.07 kg)

Aluminum metal enclosure, powder coated green

High impact polycarbonate face

NEMA 3R Rated Cabinet

Includes quick disconnect pole/post bracket

■ Communication

Infrared Wireless Remote

■ Power

Power requirements: 12VDC, low standby 160 megawatts, average day at 4.4 watts, night at 1.3 watts

Voltage requirements: 9VDC-30VDC, 12VDC Nominal (Battery protection at 11.5VDC and 10.8VDC, startup at 12.3VDC)

Solar Package comes with 20W or 60W Polycrystalline panel, rack, and integrated TrafficAlm® Smart Solar Charger

Integrated 20 Ah NiMH battery pack

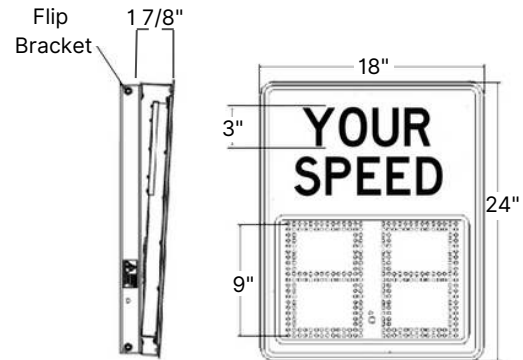
■ Environmental

-40°F to +165°F operating range (-40°C to +74°C)

■ Warranty

3-year limited warranty, 1-year on batteries

Unlimited tech support from US based factory technicians



9" Value Radar Speed Sign with 20W Solar Panel

Part #	Reflective Sheeting Color
M75-009SE-0001	White*
M75-009SE-0002	Fluorescent Yellow-Green
M75-009SE-0003	Fluorescent Orange
M75-009SE-0004	Yellow

*Non MUTCD Compliant

9" Value Radar Speed Sign with 60W Solar Panel

Part #	Reflective Sheeting Color
M75-009SE-0021	White*
M75-009SE-0022	Fluorescent Yellow-Green
M75-009SE-0023	Fluorescent Orange
M75-009SE-0024	Yellow

*Non MUTCD Compliant

9" Value Radar Speed Sign with AC Power Supply

Part #	Reflective Sheeting Color
M75-009SE-0061	White*
M75-009SE-0062	Fluorescent Yellow-Green
M75-009SE-0063	Fluorescent Orange
M75-009SE-0064	Yellow

*Non MUTCD Compliant