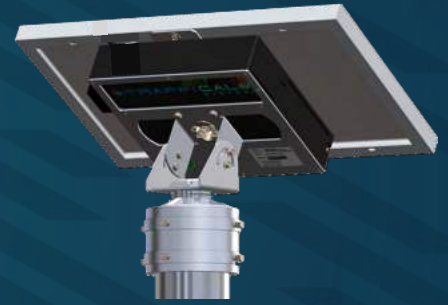


# Basic Controllers

## FLASHING SIGN SYSTEM



### BASIC CONTROLLERS

TraffiCalm Basic Controllers for Flashing Sign Systems are newly redesigned to be “plug-n-play.” We know our customers want systems to be easy-to-install, rugged, and bright.

Simply mount the LED-enhanced sign and controller on the post and it will automatically run in the standard MUTCD compliant 60Hz flash pattern. If you plug a TrafficCalm Smart Radar Sensor into the system, it will automatically configure for input operated mode and only flash the sign when an approaching vehicle is detected. No programming is required. The brightness control and power management is all automatically controlled.

## FEATURES

### Durability and Reliability

All electronics are fully epoxy-potted and environmentally sealed. The entire pole with the sign, basic controller, radar sensor, solar panels, and batteries can be fully submerged and still operate.

### Ease of Installation

Plug-n-play installation with no programming required.

### 100% MUTCD Compliant

System will automatically flash the once-per-second (60Hz) MUTCD flash pattern.

### Made in the USA

TraffiCalm® Controllers are manufactured in the USA in an ISO 9001:2015 certified facility. In addition we provide you unlimited technical phone support for the life of the unit. Build America/Buy America Compliant.

TRAFFICALM.COM



## SPECIFICATIONS

### PHYSICAL DESCRIPTIONS

Mounting: Universal bracket accommodates most industry standard round or square posts of suitable load rating

Designed for retrofit installation to existing infrastructure

NEMA 4X enclosures

All electronics potted for weatherproofness

Stainless fasteners used for corrosion resistance

### ENVIRONMENTAL

-40° F to +140° F [-40° C to +60° C] operating range

### INPUT/OUTPUT

Inputs: 1 per Controller, accept dry contact closure, optional input devices include: Push Button, Environmental sensors, and others

Outputs: 2 per Controller, 12W max requirement, output devices include Sign Rings and Beacons

Radar Port: Accepts input from TrafficCalm<sup>®</sup> Smart Radar Sensor

Light sensor for configurable auto-dimming feature based on ambient light conditions

### WARRANTY and SERVICE

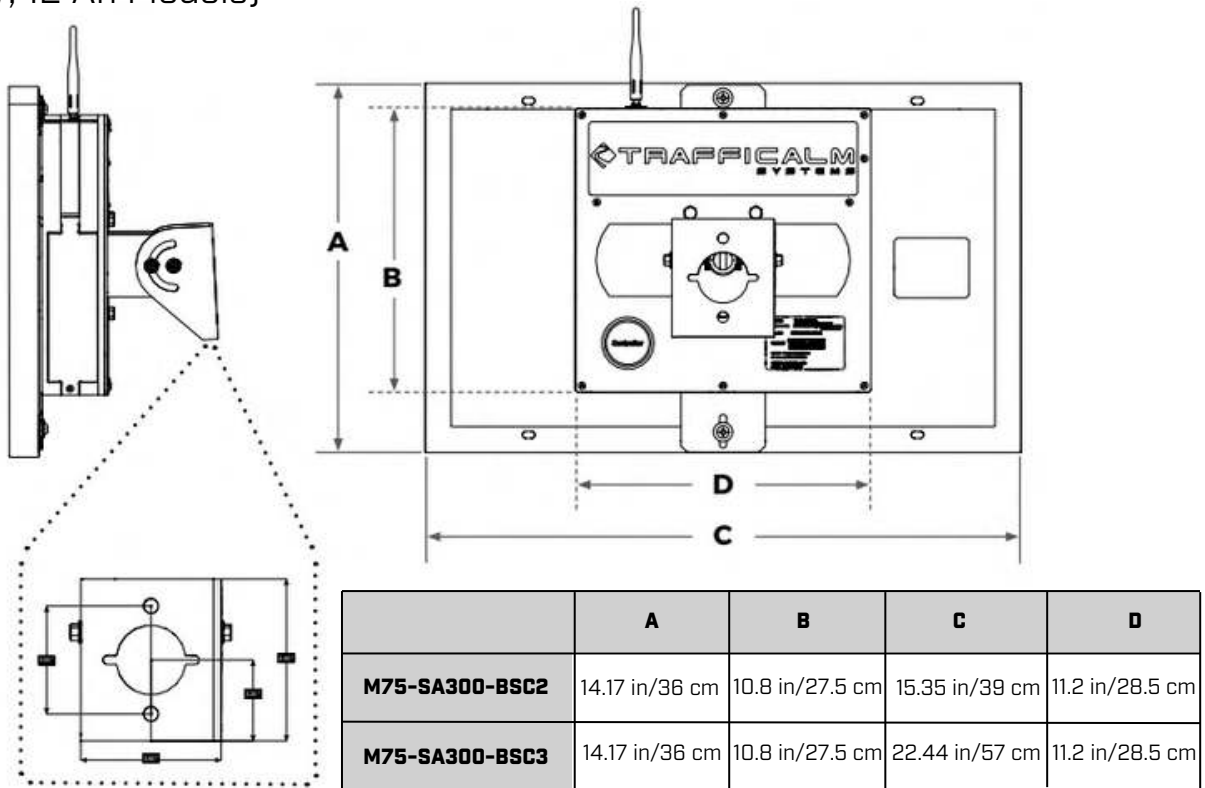
5 year limited warranty, 1 year on batteries

Unlimited tech support from US based factory technicians

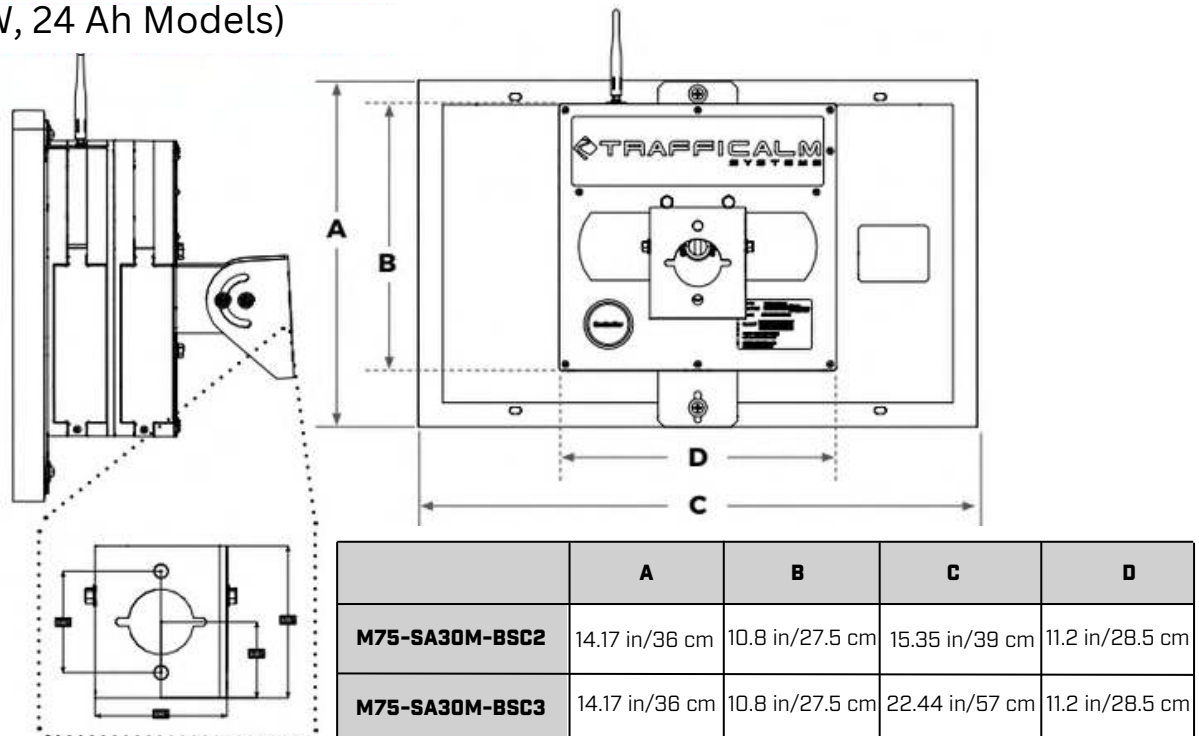
## MODEL DETAILS

	M75-SA300-BSCA	M75-SA300-BSC2	M75-SA300-BSC3	M75-SA30M-BSC2	M75-SA30M-BSC3
<b>Weight</b>	22 lbs/10 kg	25 lbs/11 kg	28 lbs/12 kg	36 lbs/16 kg	39 lbs/17 kg
<b>Dims</b>	9.28"w x 10.5"h x 5.21"d (23.6cm, 26.7cm, 13.2cm)	14.17"w x 15.35"h x 1.18"d (36cm, 39cm, 3cm)	14.17"w x 22.44"h x 1.18"d (57cm, 36cm, 3cm)	14.17"w x 15.35"h x 1.18"d (36cm, 39cm, 3cm)	14.17"w x 22.44"h x 1.18"d (57cm, 36cm, 3cm)
<b>AC/Solar</b>	Integrated AC	Integrated Solar	Integrated Solar	Integrated Solar	Integrated Solar
<b>Battery</b>	Does not apply	AGM, 12Ah, 12V	AGM, 12Ah, 12V	AGM, 24Ah, 12V	AGM, 24Ah, 12V
<b>Solar Panel</b>	Does not apply	20W/1.16A (incl.)	30W/1.74A (incl.)	20W/1.74A (incl.)	30W/1.74A (incl.)
<b>AC Input</b>	0.43A/100-277VAC	Does not apply	Does not apply	Does not apply	Does not apply

**BSC2 / BSC3 Series Basic Controllers**  
(20W and 30W, 12 Ah Models)



**Duplex Series Basic Controllers**  
(20W and 30W, 24 Ah Models)



**AC Basic Controllers**

