

# 50 Watt Solar Panel Kit

**SOLAR KIT: M75-SLRPN-050W**



## 50 WATT SOLAR PANEL KIT FOR TRAFFICALM® FLASHING SIGN SYSTEMS

TraffiCalm® Flashing Sign Systems solar kits are specifically designed to provide extensive flexibility in all its applications and provide year-round operation of the system. We have a multitude of solar kits and will make sure you have the right-sized system for your particular location using our sophisticated solar calculator that takes into account the amount of sunlight (insolation), temperature, and cloudy days experienced by month, as well as the power draw of the particular model of Flashing Sign System chosen.

## FEATURES

### Complete Kit

Includes the solar panel, panel rack, and heavy-duty mounting bracket.

### Easy Installation

No trenching required for cables. Utilizes industry standard hardware and mounting techniques. Consistent connectors and fasteners compatible with all TraffiCalm® Flashing Sign Systems.

### Environmentally Friendly

Utilizing solar energy combined with the low-power draw of Light Emitting Diodes (LEDs) in TraffiCalm® Flashing Sign Systems, these solar kits are the environmental choice for our planet, while helping make our roadways safer.

### 5-Year Warranty

5-year limited warranty on the solar kit.

### Made in the USA

TraffiCalm® Solar kits are manufactured in the USA in an ISO 9001:2015 certified facility. In addition, we provide you unlimited technical phone support for the life of the unit. Build America/Buy America Compliant.

TRAFFICALM.COM



## SPECIFICATIONS

### PHYSICAL DESCRIPTIONS

#### SOLAR PANEL:

26.57" h x 21.02" w x 1.18" d (67.5 cm x 53.4 cm x 3 cm)

Heavy-duty anodized frame

High transparent low-iron, tempered glass

#### BRACKET:

Quantity 1 - 25.98" h x 4.33" w x .98" d (66 cm x 11 cm x 2.5 cm);

Quantity 2 - 3.94" h x 3.27" w x 1.97" d (10 cm x 8.3 cm x 5 cm)

Quantity 2 - Tilt Arms 21.26" h x 3.23" w x 1.57" d (54 cm x 8.2 cm x 4 cm)

90MPH (144KPH) Wind Load Rating

1.1kN/M2 Snow Load Rating

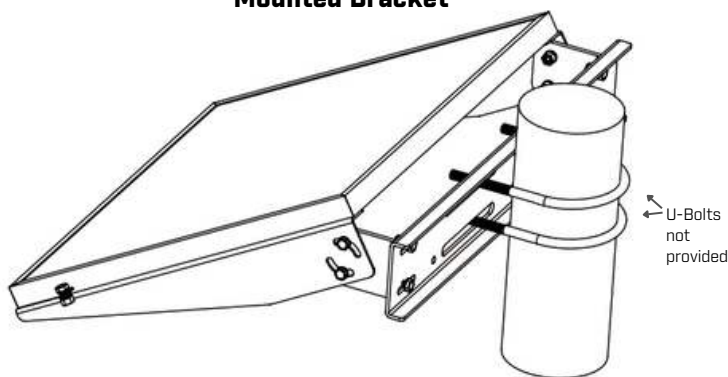
Side of Pole/Wall Mount (U-bolts required)

### CONSTRUCTION

High efficiency 50 Watt multicrystalline panel mounted to a high-wind resistant panel bracket, and connected via an easy-to-install, outdoor-rated cable harness.

Perfectly matched with a Maximum Power Point Tracking (MPPT) charging circuit, the solar panel will make the most of what day light is available.

**Mounted Bracket**



## DETAILS

### RELIABILITY

Each solar panel is individually tested for charging functionality and field proven over a decade of use.

To maximize versatility, solar power cannot be argued with. Our M75-SLRPN-050W kit maxes out the available input to TrafficCalm Controllers or Collaborators, providing sufficient charging in historically difficult installation scenarios.

### COMPATABILITY

Side of pole mounted TrafficCalm® E,S,T, and W Series Controllers and Collaborators

### WARRANTY and SERVICE

5 year warranty

Unlimited tech support from US based factory technicians

**Solar Panel Dimensions**

